

G-INS-M25-M68N-SNES-S - Cable gland



1424544

<https://www.phoenixcontact.com/gb/products/1424544>

Please be informed that the data shown in this PDF document is generated from our online catalog. Please find the complete data in the user documentation. Our general terms of use for downloads are valid.



Cable gland, material for screw connection: Stainless steel 1.4305, application: Standard, external cable diameter 11 mm ... 17 mm, shielding: no, connecting thread: M25 x 1.5, color: silver, with O-ring

Commercial data

Item number	1424544
Packing unit	1 pc
Minimum order quantity	1 pc
Sales key	BF7DAX
Product key	BF7DAX
Catalog page	Page 692 (C-2-2019)
GTIN	4055626374499
Weight per piece (including packing)	52.2 g
Weight per piece (excluding packing)	51.8 g
Customs tariff number	73269098
Country of origin	TR

G-INS-M25-M68N-SNES-S - Cable gland



1424544

<https://www.phoenixcontact.com/gb/products/1424544>

Technical data

Mounting

Assembly note	1) Mount screw connection support in the housing using the correct torque 2) Insert cable 3) Tighten union nut using the correct torque
---------------	---

Product properties

Product type	Cable screw gland
Application	Standard
No. of conductors	1
Manufacturer	BIMED
Manufacturer Designation	BMSC-E3
Shielded	no
Execution of the strain relief	A

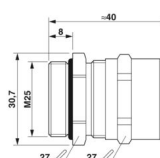
Data management status

Article revision	00
------------------	----

Characteristics

Category of shock impact	4
Design, Strain relief	A

Dimensions

Dimensional drawing	
Length	40 mm
Length of the connecting thread	8 mm
Hole diameter	25.1 mm ... 25.3 mm
Wrench size, union nut	27 mm
Wrench size, support	27 mm
Hexagon angular dimension	29.8 mm
Thread type connection side	M25 x 1.5
Thread pitch	1.5 mm

Connection data

Tightening torque	14 Nm (Cap nut)
	6 Nm (Support sleeve)
	for UL514 B: union nut

Material specifications

G-INS-M25-M68N-SNES-S - Cable gland



1424544

<https://www.phoenixcontact.com/gb/products/1424544>

Color	Steel/stainless steel color
Material Compression ring	PA 6
Seal material O-ring	Perbunan
Seal material Cable seal	CR
Material for screw connection	Stainless steel 1.4305

Cable/line

External cable diameter Cable 1	11 mm ... 17 mm
External cable diameter	14 mm ... 17 mm (for UL 514 B)

Environmental and real-life conditions

Ambient conditions

Degree of protection	IP68 (5 bar, 30 min.)
	IP66
	IP69
Ambient temperature (operation)	-40 °C ... 100 °C (static)

G-INS-M25-M68N-SNES-S - Cable gland

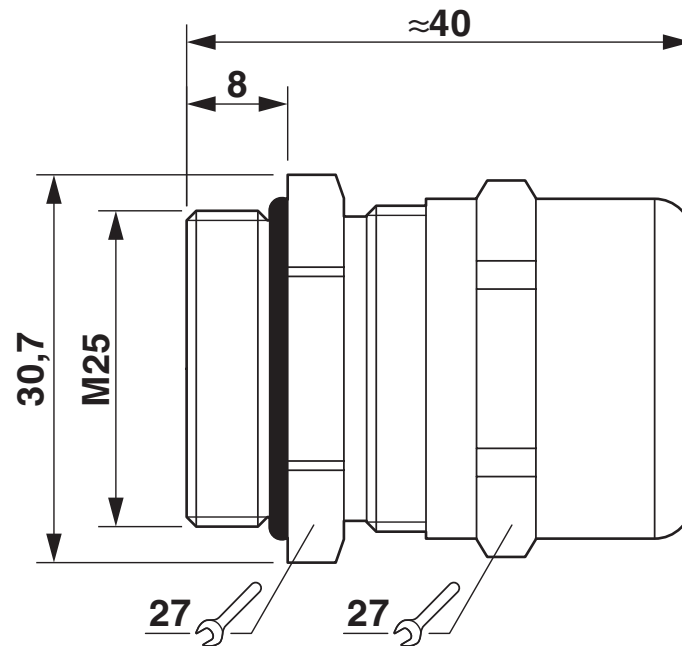
1424544

<https://www.phoenixcontact.com/gb/products/1424544>



Drawings

Dimensional drawing



Dimensional drawing

G-INS-M25-M68N-SNES-S - Cable gland



1424544

<https://www.phoenixcontact.com/gb/products/1424544>

Approvals

To download certificates, visit the product detail page: <https://www.phoenixcontact.com/gb/products/1424544>



UL Listed

Approval ID: E199260



cUL Listed

Approval ID: E199260

cULus Listed

G-INS-M25-M68N-SNES-S - Cable gland



1424544

<https://www.phoenixcontact.com/gb/products/1424544>

Classifications

ECLASS

ECLASS-11.0	27144432
ECLASS-12.0	27140801
ECLASS-13.0	27140801

ETIM

ETIM 9.0	EC000441
----------	----------

UNSPSC

UNSPSC 21.0	39121300
-------------	----------

G-INS-M25-M68N-SNES-S - Cable gland



1424544

<https://www.phoenixcontact.com/gb/products/1424544>

Environmental product compliance

EU RoHS

Fulfills EU RoHS substance requirements	Yes, No exemptions
---	--------------------

China RoHS

Environment friendly use period (EFUP)	EFUP-E
	No hazardous substances above the limits

EU REACH SVHC

REACH candidate substance (CAS No.)	No substance above 0.1 wt%
-------------------------------------	----------------------------

Phoenix Contact 2024 © - all rights reserved
<https://www.phoenixcontact.com>

PHOENIX CONTACT Ltd
Halesfield 13, Telford
Shropshire, TF7 4PG
01952 681700
info@phoenixcontact.co.uk