

Screw plug - HC-BS-PG13



1674503

<https://www.phoenixcontact.com/gb/products/1674503>

Please be informed that the data shown in this PDF document is generated from our Online Catalog. Please find the complete data in the user documentation. Our General Terms of Use for Downloads are valid.

Screw plug, material: Brass, nickel-plated, connecting thread: Pg13.5, color: silver



Commercial Data

Item number	1674503
Packing unit	10 pc
Minimum order quantity	10 pc
Sales Key	BF7DZX
Product Key	BF7DZX
Catalog Page	Page 703 (C-2-2019)
GTIN	4017918135409
Weight per Piece (including packing)	16.18 g
Weight per Piece (excluding packing)	15.42 g
Customs tariff number	85369010
Country of origin	DE

Screw plug - HC-BS-PG13

1674503

<https://www.phoenixcontact.com/gb/products/1674503>

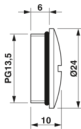


Technical Data

Product properties

Product type	Plug for cable screw gland
Pg screw connection	Pg13,5

Dimensions

Dimensional drawing	
Length	10 mm
Length of the connecting thread	6 mm
Diameter	24 mm
Hexagon angular dimension	Diameter (no corners)
Thread type connection side	Pg13.5

Material specifications

Color	silver
Material	Brass, nickel-plated
Housing surface material	Nickel
O-ring material	NBR

Cable / line

Ambient conditions

Halogen-free	no
--------------	----

Environmental and real-life conditions

Ambient conditions

Degree of protection	IP68
Ambient temperature (operation)	-20 °C ... 80 °C

Screw plug - HC-BS-PG13

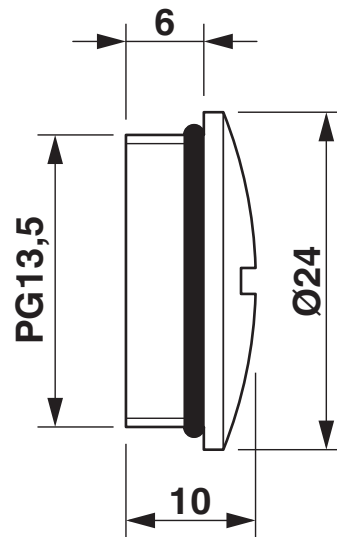
1674503

<https://www.phoenixcontact.com/gb/products/1674503>



Drawings

Dimensional drawing



Dimensional drawing

Screw plug - HC-BS-PG13

1674503

<https://www.phoenixcontact.com/gb/products/1674503>



Approvals



EAC

Approval ID: RU C-DE.AI30.B.01102

Screw plug - HC-BS-PG13

1674503

<https://www.phoenixcontact.com/gb/products/1674503>



Classifications

ECLASS

ECLASS-9.0	23111190
ECLASS-10.0.1	23111190
ECLASS-11.0	23111190

ETIM

ETIM 8.0	EC000032
----------	----------

UNSPSC

UNSPSC 21.0	31261500
-------------	----------

Screw plug - HC-BS-PG13

1674503

<https://www.phoenixcontact.com/gb/products/1674503>



Environmental Product Compliance

REACH SVHC	Lead 7439-92-1
China RoHS	Environmentally Friendly Use Period = 50 years
	For information on hazardous substances, refer to the manufacturer's declaration available under "Downloads"

Phoenix Contact 2022 © - all rights reserved

<https://www.phoenixcontact.com>

PHOENIX CONTACT Ltd
Halesfield 13, Telford
Shropshire, TF7 4PG
01952 681700
info@phoenixcontact.co.uk