

# FL MC EF 1300 MM SC - FO converters



2902853

<https://www.phoenixcontact.com/pc/products/2902853>

Please be informed that the data shown in this PDF document is generated from our online catalog. Please find the complete data in the user documentation. Our general terms of use for downloads are valid.



FO converter with SC duplex fiber optic connection (1300 nm), for converting 10/100Base-T(X) to multi-mode fiberglass (50/125  $\mu$ m). Auto negotiation and auto MDI(X) function. Comprehensive link diagnostics. DIN-rail mountable, 18 ... 30 V DC supply.

## Product description

Optical transmission with FO technology provides superior immunity to interference at maximum transmission ranges without restricting the transmission bandwidth.

## Your advantages

- Transmission ranges up to 10 km
- Auto negotiation
- Auto MDI/MDI-X switch-over
- Link fault pass through (LFPT) and far end fault (FEF) functions for easy connection monitoring
- 10/100 Mbps
- Shipbuilding approval in accordance with DNV GL

## Commercial data

Item number	2902853
Packing unit	1 pc
Minimum order quantity	1 pc
Product key	DNC311
Catalog page	Page 351 (C-6-2019)
GTIN	4046356689236
Weight per piece (including packing)	168.9 g
Weight per piece (excluding packing)	115 g
Customs tariff number	85176200
Country of origin	US

## Technical data

### Notes

#### Note on application

Note on application	Only for industrial use
---------------------	-------------------------

#### Utilization restriction

CCCex note	Use in potentially explosive areas is not permitted in China.
------------	---

### Product properties

Product type	Media converter
MTTF	1400 Years (SN 29500 standard, temperature 25°C, operating cycle 21%)
	599 Years (SN 29500 standard, temperature 40°C, operating cycle 34.25%)
	101 Years (SN 29500 standard, temperature 40°C, operating cycle 100%)
MTBF	479 Years (Telcordia standard, 25°C temperature, 21% operating cycle (5 days a week, 8 hours a day))
	140 Years (Telcordia standard, 40°C temperature, 34.25% operating cycle (5 days a week, 12 hours a day))
Signal delay	± 1.3 μs (Store and Forward mode, 10/100 Mbps, depending on the frame size)

### System properties

#### Functionality

Basic functions	Store-and-forward media converter
-----------------	-----------------------------------

### Electrical properties

Electrical isolation	according to IEEE 802.3
	VCC // FE // Ethernet
Maximum power dissipation for nominal condition	2.4 W
Test voltage data interface/power supply	0.5 kV <sub>rms</sub> (50 Hz, 1 min.)

#### Supply

Supply voltage range	18 V DC ... 30 V DC (Screw connection)
	18 V DC ... 30 V DC (as an alternative or redundant, via backplane bus contact and system current supply)
Typical current consumption	< 100 mA (24 V DC)
Protective circuit	Reverse polarity protection

### Connection data

#### Supply

Connection method	Plug-in screw terminal block (COMBICON), redundancy possible
Single conductor/terminal point, rigid	0.2 mm <sup>2</sup> ... 2.5 mm <sup>2</sup>

# FL MC EF 1300 MM SC - FO converters



2902853

<https://www.phoenixcontact.com/pc/products/2902853>

Single-wire/terminal point, flexible	0.2 mm² ... 2.5 mm²
Conductor cross section, flexible [AWG]	24 ... 14
Stripping length	7.00 mm
Tightening torque	0.56 Nm ... 0.79 Nm

## Interfaces

Signal	Ethernet
Basic functions	Store-and-forward media converter

### Data: optical FO

Transmit capacity, minimum	≥ -23.5 dBm ((50/125 µm) dynamic in link mode (average))
	≥ -20 dBm ((62,5/125 µm) dynamic in link mode (average))
Transmit capacity, maximum	≤ -14 dBm ((50/125 µm) dynamic in link mode (average))
	≤ -14 dBm ((62,5/125 µm) dynamic in link mode (average))
Transmission length incl. 3 dB system reserve	6.4 km (F-G 50/125 0.7 dB/km F 1000)
	2.8 km (F-G 50/125 1.6 dB/km F 800)
	10 km (F-G 62.5/125 0.7 dB/km F 1000)
	3 km (F-G 62.5/125 2.6 dB/km F 600)
Connection method	SC duplex
Wavelength	1300 nm
Minimum receiver sensitivity	-31 dBm (dynamic in link mode (average))
Maximum receiver sensitivity	-14 dBm (dynamic in link mode (average))
Transmission medium	Multi-mode fiberglass
	GI-HCS fiber

### Data: Ethernet interface, 10/100Base-T(X) in accordance with IEEE 802.3

Transmission speed	10/100 Mbps
Connection method	RJ45 jack, shielded
No. of channels	1
Transmission length	100 m (shielded twisted pair)
Transmission medium	Copper
Signal LEDs	Activity, link status, 10/100 Mbps
Auto-negotiation modes	Auto
Link through	Link fault pass through
MDI-/MDI-X switchover	Auto-MDI(X)

## Dimensions

Dimensional drawing	
Width	22.5 mm
Height	99 mm

# FL MC EF 1300 MM SC - FO converters



2902853

<https://www.phoenixcontact.com/pc/products/2902853>

Depth	114.5 mm
-------	----------

## Material specifications

Color (Housing)	green (RAL 6021)
Material (Housing)	PA 6.6-FR

## Cable/line

### FO cable

Fiber types	50/125 µm
	62.5/125 µm
	Fiberglass

## Mechanical tests

Free fall in accordance with IEC 60068-2-32	: 1 m
Vibration resistance in accordance with EN 60068-2-6/IEC 60068-2-6	: 5g, 10...150 Hz, 2.5 h, in XYZ direction
Shock in accordance with EN 60068-2-27/IEC 60068-2-27	: 25g, 11 ms period, half-sine shock pulse

## Environmental and real-life conditions

### Ambient conditions

Degree of protection	IP20
Ambient temperature (operation)	-40 °C ... 65 °C
Ambient temperature (storage/transport)	-40 °C ... 85 °C
Altitude	≤ 5000 m (For restrictions, see the manufacturer's declaration for altitude operation)
	≤ 2000 m (in acc. with UL)
Permissible humidity (operation)	5 % ... 95 % (non-condensing)
Permissible humidity (storage/transport)	5 % ... 95 % (non-condensing)

## Approvals

### CE

Certificate	CE-compliant
-------------	--------------

### ATEX

Identification	⊕ II 3 G Ex nA IIC T4 Gc X
Note	Please follow the special installation instructions in the documentation!

### ATEX, FO interface

Identification	⊕ II (2) D [Ex op is Db] IIIC
	⊕ II (2) G [Ex op is Gb] IIC
Certificate	PTB 06 ATEX 2042 U
Note	Please follow the special installation instructions in the documentation!

### UL, USA/Canada

# FL MC EF 1300 MM SC - FO converters



2902853

<https://www.phoenixcontact.com/pc/products/2902853>

Identification	508 Listed
	Class I, Zone 2, AEx nA IIC T4
	Class I, Zone 2, Ex nA IIC T4 Gc X
	Class I, Div. 2, Groups A, B, C, D

## KC approval for South Korea

Certificate	MSIP-REI-PCK-2902853
-------------	----------------------

## Corrosive gas test

Identification	ISA-S71.04-1985 G3 Harsh Group A
----------------	----------------------------------

## Shipbuilding

Identification	DNV GL
----------------	--------

## Shipbuilding data

Temperature	B
Humidity	A
Vibration	A
EMC	B
Enclosure	Required protection according to the Rules shall be provided upon installation on board

## EMC data

Electromagnetic compatibility	Conformance with EMC Directive 2014/30/EU
-------------------------------	---

## Electrostatic discharge

Standards/regulations	EN 61000-4-2
-----------------------	--------------

## Electrostatic discharge

Contact discharge	± 6 kV (Test Level 3)
Discharge in air	± 8 kV (Test Level 3)
Indirect discharge	± 6 kV
Comments	Criterion B

## Electromagnetic HF field

Standards/regulations	EN 61000-4-3
-----------------------	--------------

## Electromagnetic HF field

Frequency range	80 MHz ... 3 GHz (Test Level 3)
Field intensity	10 V/m
Comments	Criterion A

## Fast transients (burst)

Standards/regulations	EN 61000-4-4
-----------------------	--------------

## Fast transients (burst)

Input	± 2 kV (Test Level 3)
Signal	± 2 kV (Test Level 3)
Comments	Criterion B

# FL MC EF 1300 MM SC - FO converters



2902853

<https://www.phoenixcontact.com/pc/products/2902853>

## Surge current load (surge)

Standards/regulations	EN 61000-4-5
-----------------------	--------------

## Surge current load (surge)

Input	± 0.5 kV (DC supply)
Signal	± 1 kV (Data line, asymmetrical)
Comments	Criterion B

## Conducted interference

Standards/regulations	EN 61000-4-6
-----------------------	--------------

## Conducted interference

Frequency range	0.15 MHz ... 80 MHz
Comments	Criterion A
Voltage	10 V

## Emitted interference

Standards/regulations	EN 55032
Comments	Class A, industrial applications

## Criteria

Criterion A	Normal operating behavior within the specified limits.
Criterion B	Temporary impairment to operational behavior that is corrected by the device itself.

## Standards and regulations

Free from substances that could impair the application of coating	VDMA 24364:2018-05
Electrical isolation	according to IEEE 802.3

## Mounting

Mounting type	DIN rail mounting
---------------	-------------------

# FL MC EF 1300 MM SC - FO converters

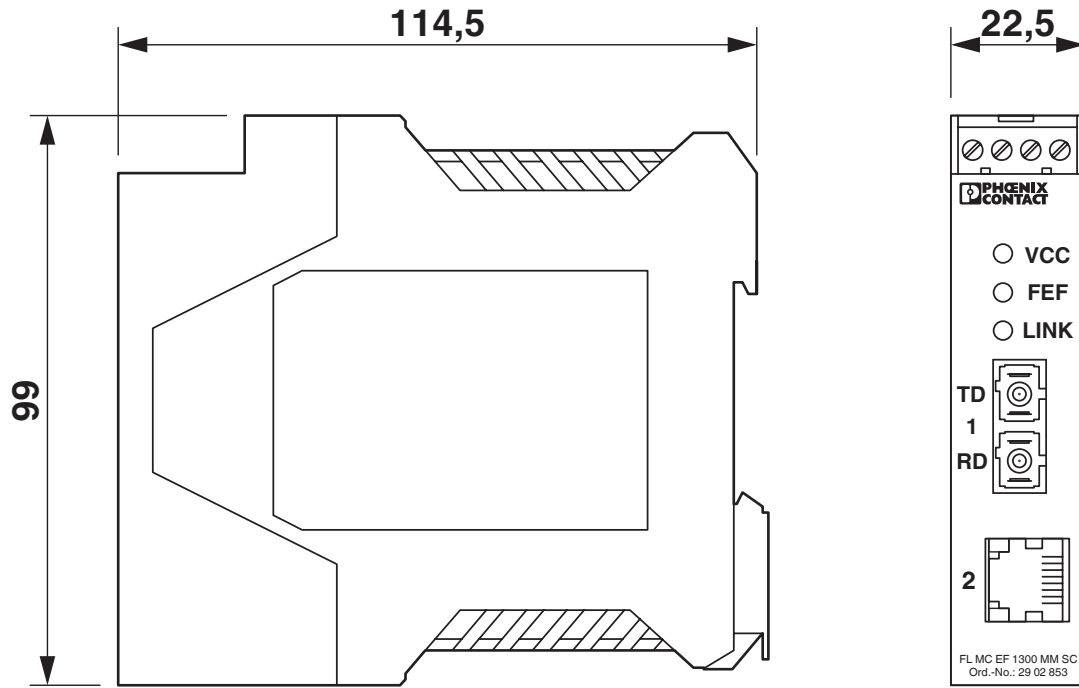
2902853

<https://www.phoenixcontact.com/pc/products/2902853>



## Drawings

Dimensional drawing



Slim design

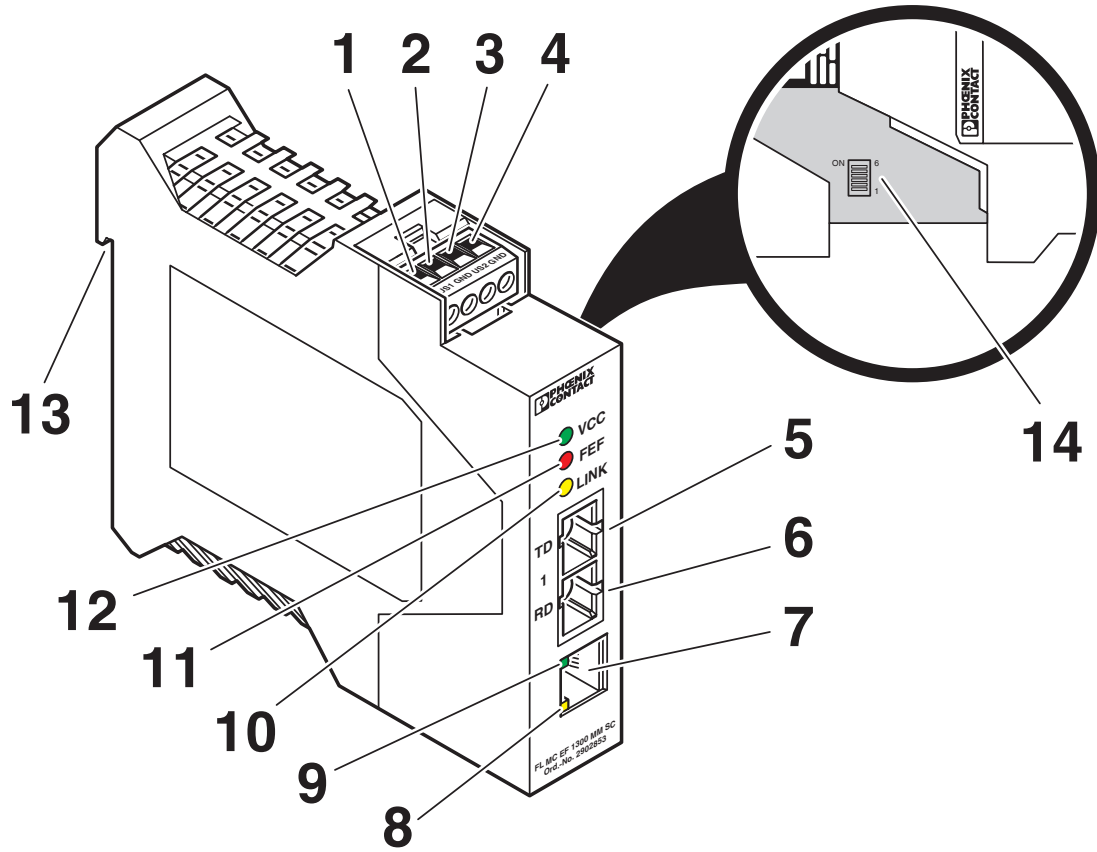
# FL MC EF 1300 MM SC - FO converters



2902853

<https://www.phoenixcontact.com/pc/products/2902853>

Schematic diagram



Function elements

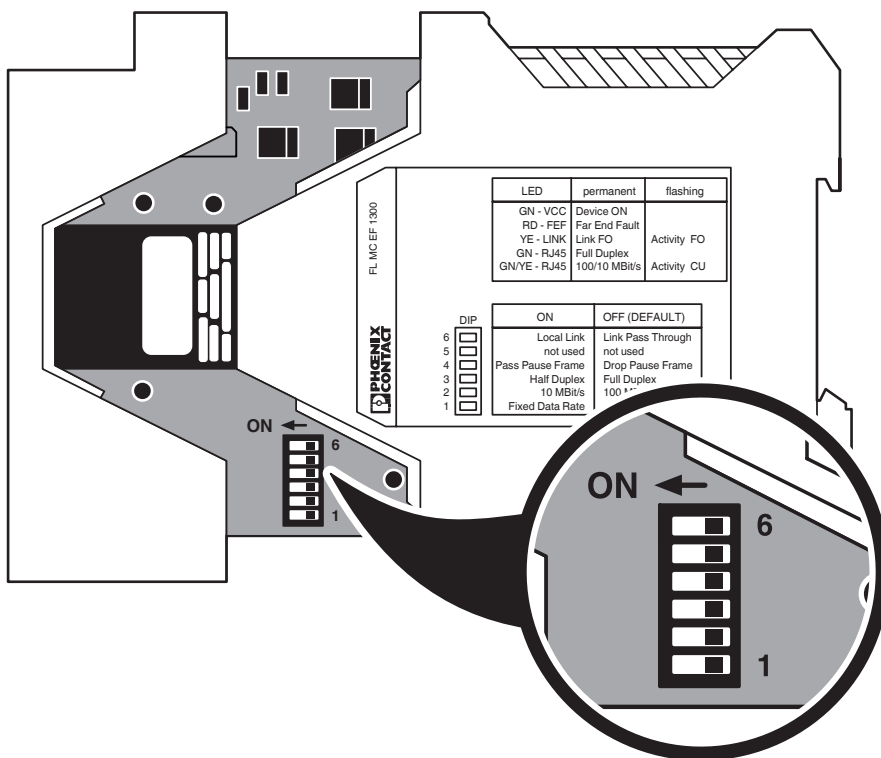
# FL MC EF 1300 MM SC - FO converters



2902853

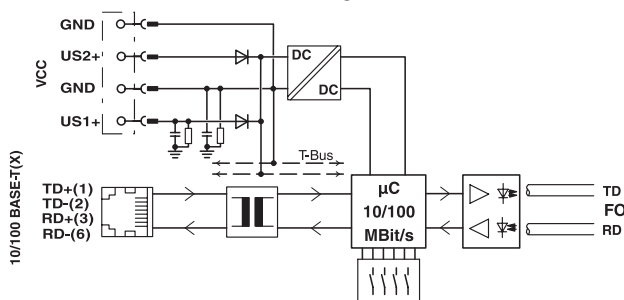
<https://www.phoenixcontact.com/pc/products/2902853>

Schematic diagram



DIP switches

Block diagram



Basic circuit diagram

# FL MC EF 1300 MM SC - FO converters



2902853

<https://www.phoenixcontact.com/pc/products/2902853>

## Approvals

To download certificates, visit the product detail page: <https://www.phoenixcontact.com/pc/products/2902853>



**EAC**

Approval ID: RU D-DE.GB09.B.00312



**KC**

Approval ID: MSIP-REI-PCK-2902853



**UL Listed**

Approval ID: E238705



**cUL Listed**

Approval ID: E238705



**EAC**

Approval ID: RU D-DE.GB09.B.00312



**cUL Listed**

Approval ID: E238705



**UL Listed**

Approval ID: E238705



**KC**

Approval ID: MSIP-REI-PCK-2902853



**ATEX**

Approval ID: PTB 06 ATEX 2042U



**cUL Listed**

Approval ID: E199827



**UL Listed**

Approval ID: E199827

# FL MC EF 1300 MM SC - FO converters



2902853

<https://www.phoenixcontact.com/pc/products/2902853>



**UL Listed**

Approval ID: E199827



**cUL Listed**

Approval ID: E199827



**ATEX**

Approval ID: PTB 06 ATEX 2042U

# FL MC EF 1300 MM SC - FO converters



2902853

<https://www.phoenixcontact.com/pc/products/2902853>

## Classifications

### ECLASS

ECLASS-12.0	19170411
ECLASS-13.0	19170411

### ETIM

ETIM 9.0	EC001467
----------	----------

### UNSPSC

UNSPSC 21.0	43201500
-------------	----------

2902853

<https://www.phoenixcontact.com/pc/products/2902853>

## Environmental product compliance

### EU RoHS

Fulfills EU RoHS substance requirements	Yes
Exemption	7(a), 7(c)-I

### China RoHS

Environment friendly use period (EFUP)	EFUP-50
	An article-related China RoHS declaration table can be found in the download area for the respective article under "Manufacturer declaration". For all articles with EFUP-E, no China RoHS declaration table issued and required.

### EU REACH SVHC

REACH candidate substance (CAS No.)	Lead(CAS: 7439-92-1)
SCIP	70fbbb78-61fb-46e5-96c4-7b683755c9b8

Phoenix Contact 2025 © - all rights reserved

<https://www.phoenixcontact.com>

PHOENIX CONTACT GmbH & Co. KG

Flachsmarktstraße 8

D-32825 Blomberg

+49 (0) 5235-3 00

[info@phoenixcontact.com](mailto:info@phoenixcontact.com)