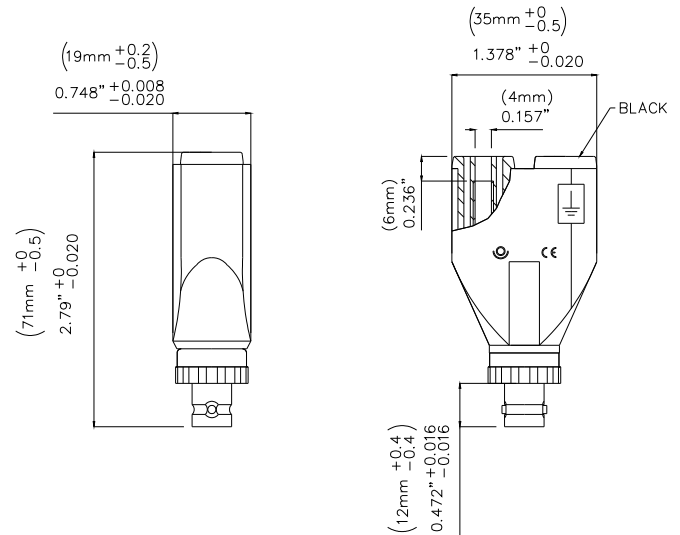


Model 72938
IEC Insulated BNC (F) to two 4 mm banana jacks



Features

- IEC Insulated BNC (F) to two 4 mm banana jacks.
- Adapter converts test instrument safety banana leads to BNC configuration for added shielding and safety.
- Rating: 500V Cat I, 150V Cat II

Specifications

Max Current	3A
Max Voltage	500V CAT I, 150V CATII

Materials

- Connector body: Nickel plated Brass
- Center Contact: Gold Plated Brass
- Dielectric: White PTFE
- Insulation: Polyamide
- Banana Jack: Nickel plated Brass

Ordering Information

Model: 72938

USA: Sales: 800-490-2361 Fax: 888-403-3360
 Europe: 31-(0) 40 2675 150 International: 425-446-5500
 e-mail: technicalsupport@pomonatest.com

Where to Buy: www.pomonaelectronics.com

All dimensions are in inches. Tolerances (except noted): .xx = ±.02" (.51 mm), .xxx = ±.005" (.127 mm). All specifications are to the latest revisions. Specifications are subject to change without notice. Registered trademarks are the property of their respective companies.

Mouser Electronics

Authorized Distributor

Click to View Pricing, Inventory, Delivery & Lifecycle Information:

[Pomona:](#)

[72938](#)