

Actuator: RKUV

General Data

Type reference:	RKUV
Description:	Emergency-stop Head, foolproof
Approvals:	CE
Degree of protection:	IP65
Operation travel:	3 mm
Max. storage temperature:	-50°C ... 85°C
Max. operating temperature:	-30°C ... 70°C
Mechanical life:	25,000

Technical Data

Mounting aperture:	16.2 mm
Tightening torque (mounting nut):	max. 1.5 Nm
Release:	twist release, left or right
Mounting position:	any
Standards:	EN 60947-5-1, EN 60947-5-5, EN ISO 13850

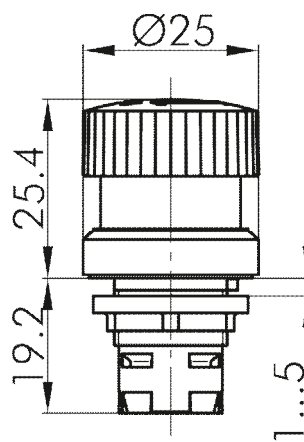
Note

- foolproof acc. to EN ISO 13850
- with grey front bezel
- must be mounted on yellow background (e.g. using the yellow, self-adhesive Schlegel nameplates ref. NAS...)

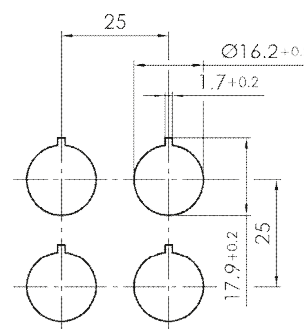
Photo



Dimensional drawing



Drilling pattern



- subject to alterations -