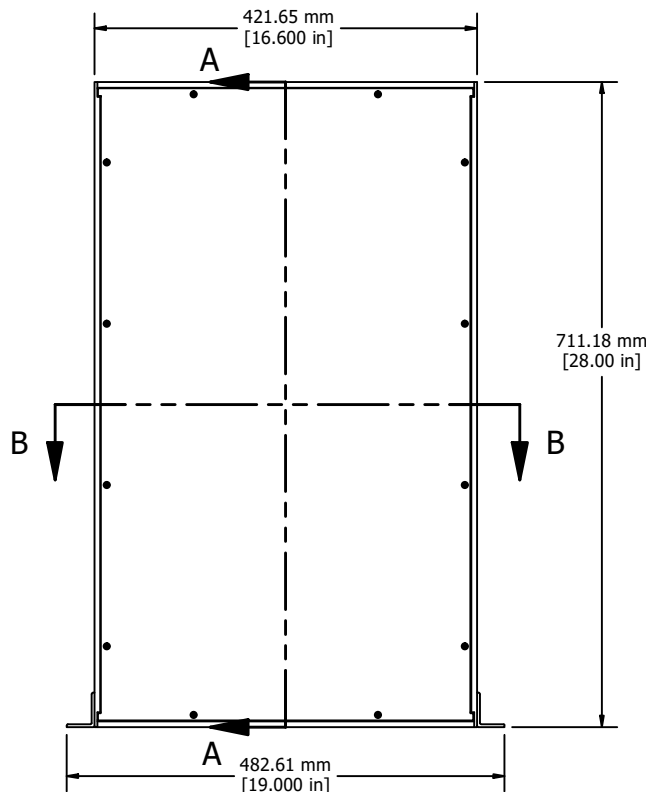
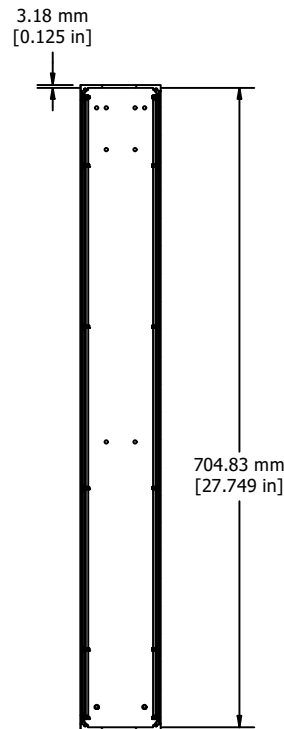


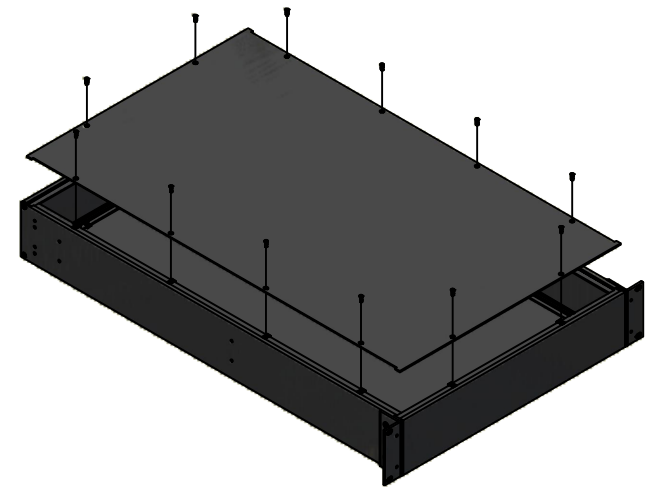
SECTION B-B



ASSEMBLY - TOP VIEW



SECTION A-A



EXPLODED ISOMETRIC VIEW

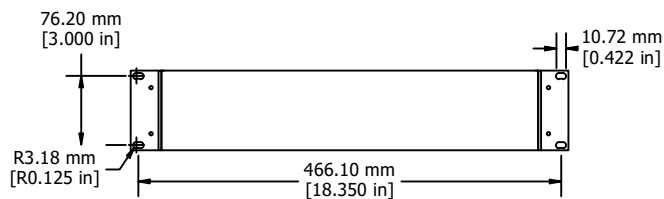
Enclosures can be Factory Modified (Milling, Drilling, Printing etc.)
 Contact Factory - mjm@hammondmfg.com for quotes
 Solid models of this enclosure available in STEP or IGES.

RM2U1928SBK

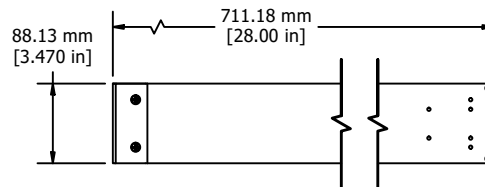
- Extruded Aluminum Frame - Type 6063
- 2 Panels - .064" Aluminum (5052-H32) Powder Coat
- 2 Mounting Brackets - .125" Aluminum
- 24 Screws - Flat Head 4-40 x 3/8"
- 8 Screws - Counter Sunk Head 6-32 x 3/8"
- 4 Screws - Counter Sunk Head 10-32 x 3/8"
- 24 Nuts - #4 Speed Nuts
- Four Self Adhesive Rubber Feet - 1421T3

ACCESSORIES

PULL HANDLES	1427E1BK
REAR BRACKET KIT	RM2U18BRKT



ASSEMBLY - FRONT VIEW



ASSEMBLY - SIDE VIEW



**HAMMOND
 MANUFACTURING™**

RM2U1928SBK

www.hammondmfg.com