

Miniature Quick Wire Thermocouple Connector



Features

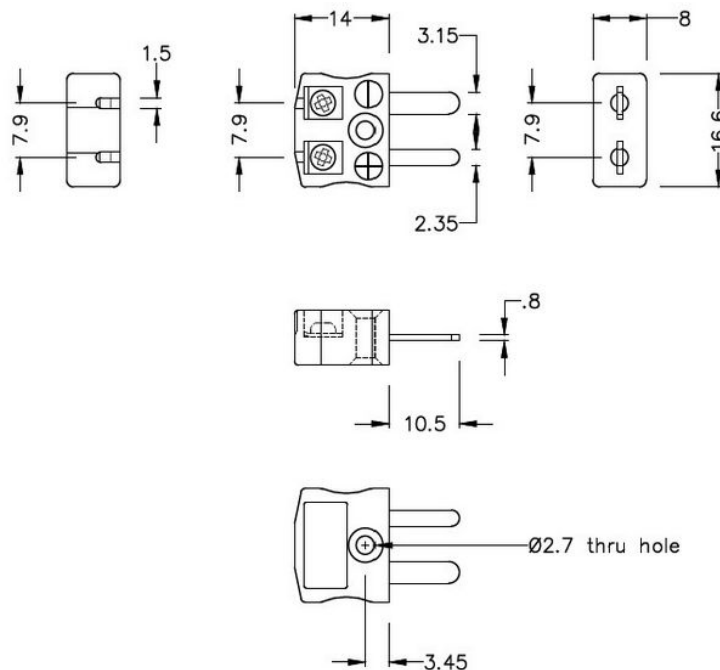
- This design allows for swift and hassle-free installation of Type J thermocouples
- Used in various industrial applications due to their versatility and reliability
- Compatibility and interchangeability with other IEC-compliant connectors and instruments



Specification

Sensor Type	J
Connector Size	Miniature
Connector Type	Quick Wire Plug
Colour	Black
Max. Temperature	220 °C
Pins	Flat Pins
+Positive Contact	Fe
-Negative Contact	CuNi
Standards Met	BS EN 50212:1997; RoHS

Drawing



Miniature in-line Plug - Quick Wire
(dimensions in mm)

Art. Nr.
RND 410-00190