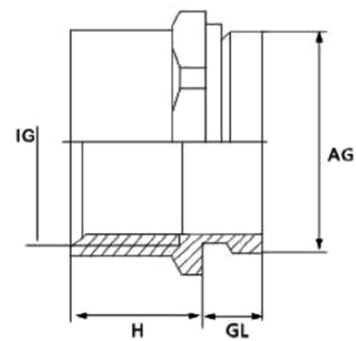


# Metric Expansion Adapters

Brass, Sold by piece



## FEATURES:

Includes 1 metric expansion adapter + locknut + o-ring

IP54 protection rating (IP68 with o-ring assembled)

NBR sealing material

## SPECIFICATION:

Colour	silver
Material	Brass, nickel-plated
Temperature range	-40...+100 °C

## PRODUCT RANGE:

Art. Nr.	External thread (IG)	Internal thread (AG)	Spanner size	GL	H	AG	Hole $\phi$
RND 465-00416	M16 x 1.5	M12 x 1.5	18 mm	6 mm	10.5 mm	12 mm	12...12.3 mm
RND 465-00417	M20 x 1.5	M16 x 1.5	23 mm	6 mm	12.5 mm	16 mm	16...16.3 mm
RND 465-00418	M25 x 1.5	M20 x 1.5	29 mm	6.5 mm	14.5 mm	20 mm	20...20.3 mm
RND 465-00419	M32 x 1.5	M25 x 1.5	36 mm	7 mm	16.5 mm	25 mm	25...25.3 mm