

Split ferrite

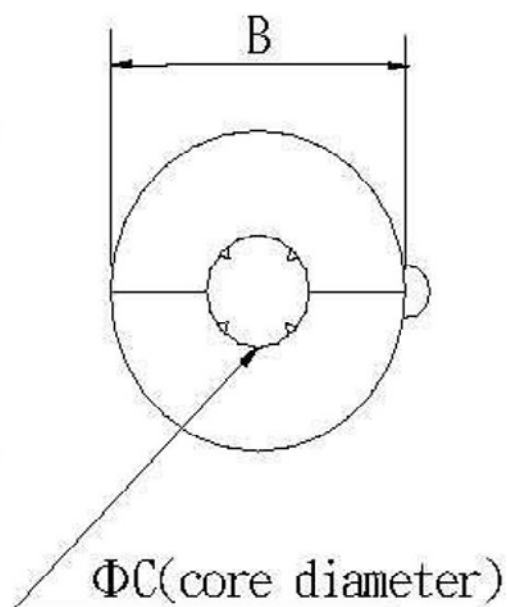
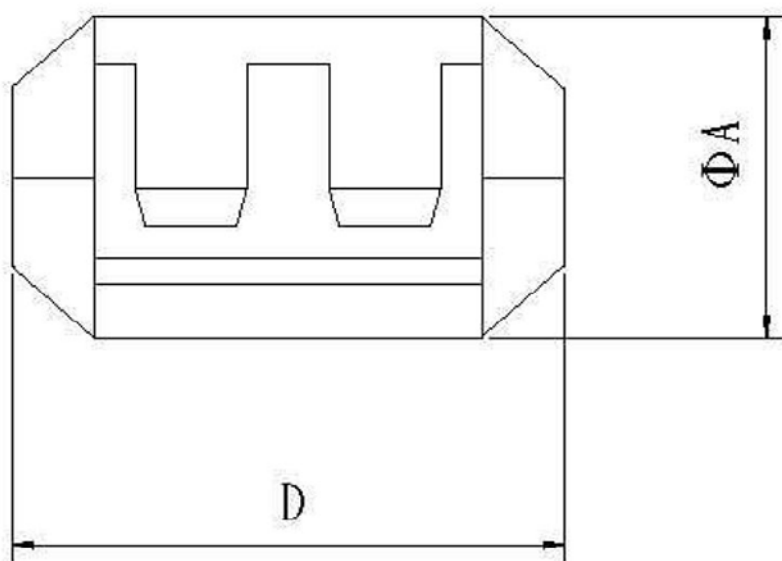
$\varnothing \leq 5.2 \text{ mm}$

FEATURES:

Round Shape

SPECIFICATION:

| | |
|---------------------|-----------------------------------|
| For cable size | $\varnothing \leq 5.2 \text{ mm}$ |
| Colour | black |
| A | 16.5 mm |
| B | 16.5 mm |
| C | 5.2 mm |
| D | 29.5 mm |
| Impedance @ 25 MHz | 55 Ω |
| Impedance @ 100 MHz | 110 Ω |



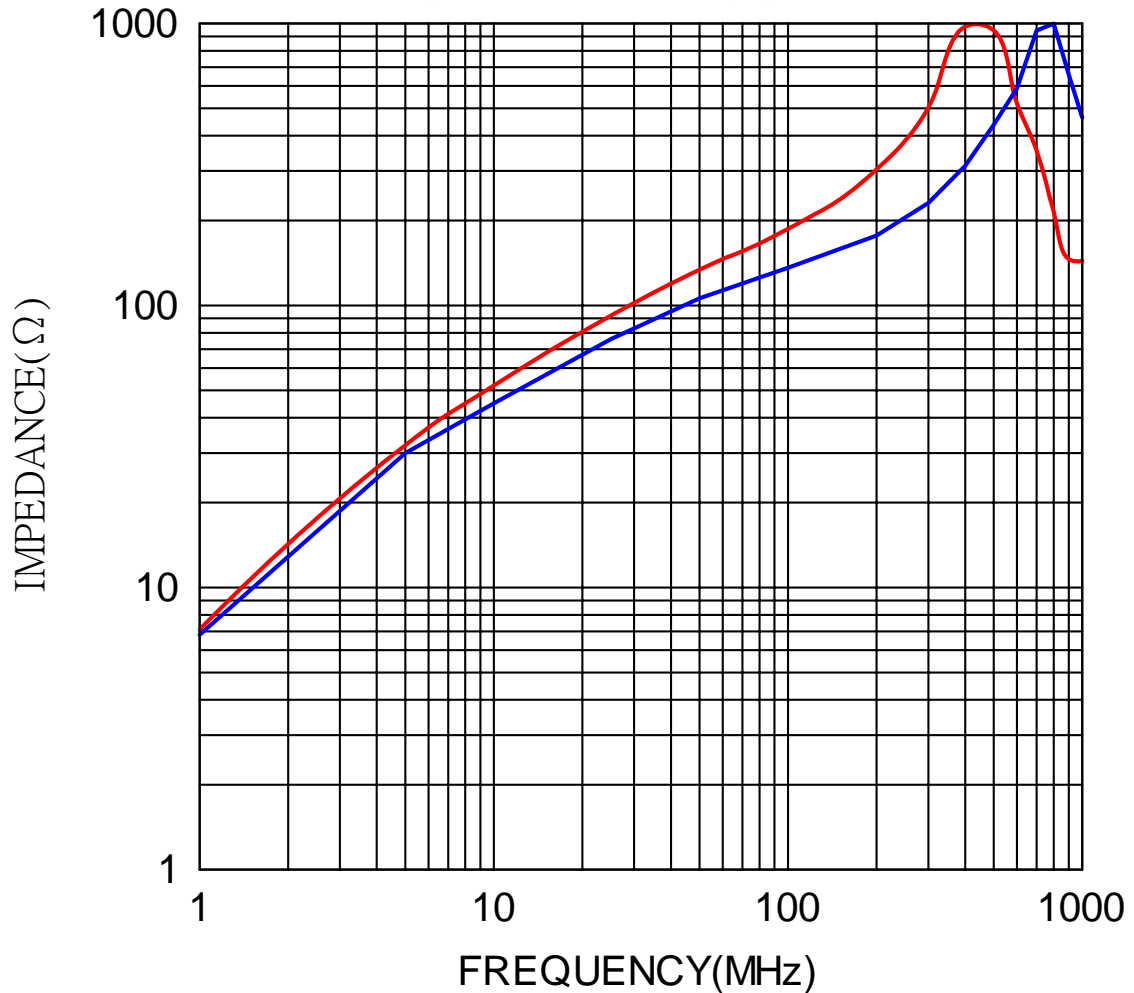
Split ferrite

$\varnothing \leq 5.2 \text{ mm}$



Frequency Graph

1. TEST INSTRUMENT: HP4286A
2. WINDING: Z=0.4 Φ X165 mm 2 U.E.W 1TS
Z1=0.65 Φ X100 mm 2 U.E.W 1TS



| | 1 | 5 | 10 | 25 | 50 | 100 | 200 | 300 | 400 | 500 | 600 | 700 | 800 | 900 | 1000 |
|------|-----|----|----|----|-----|-----|-----|-----|-----|-----|-----|-----|-----|-----|------|
| Z1 — | 6.8 | 30 | 45 | 76 | 106 | 136 | 177 | 231 | 313 | 437 | 589 | 944 | 999 | 658 | 464 |
| Z — | 7.1 | 32 | 52 | 92 | 134 | 187 | 304 | 504 | 975 | 946 | 520 | 354 | 215 | 146 | 144 |

(DATA BETWEEN 500MHz AND 1000MHz ARE FOR REFERENCE ONLY)

Art. Nr.
RND 165-00004