

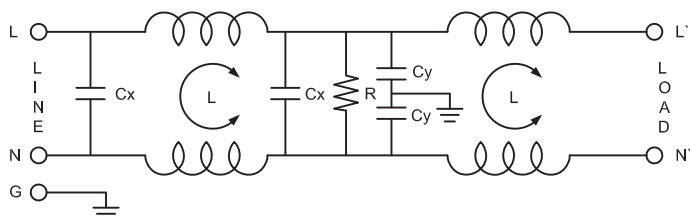
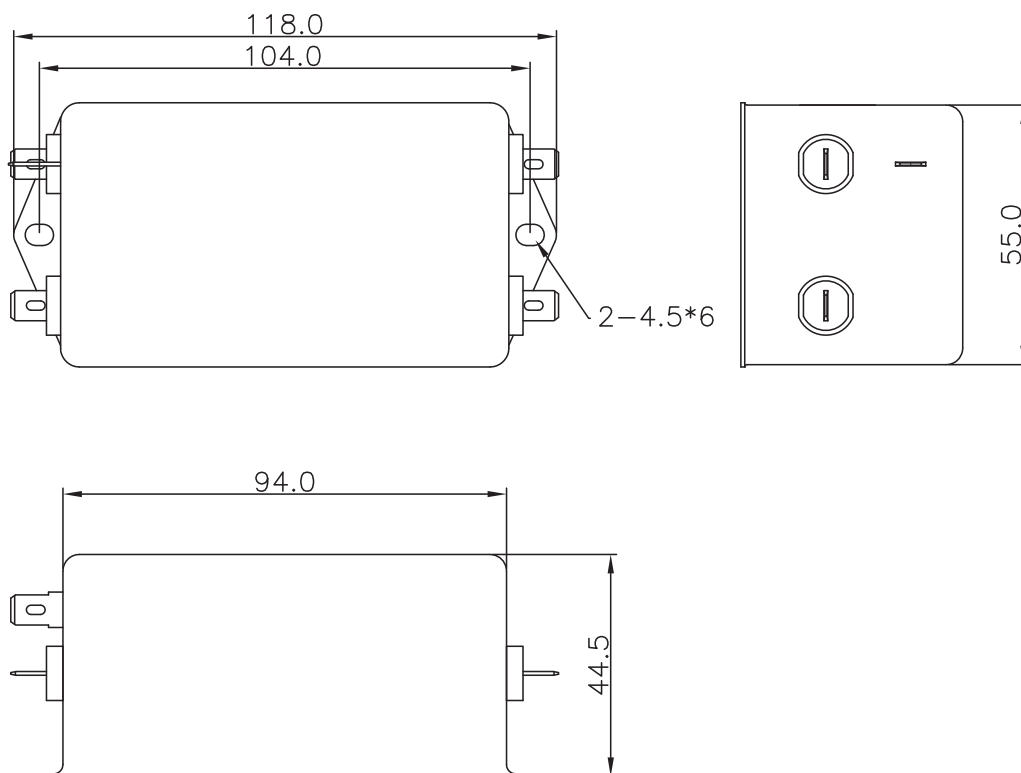
# EMI Filter

## SPECIFICATION:

|                      |                        |
|----------------------|------------------------|
| Length               | 118 mm                 |
| Height               | 55 mm                  |
| IEC-climate category | 25/085/21              |
| Leakage current      | 1.0 mA @ 250 VAC/60 Hz |
| Rated current        | 6 A                    |
| Rated voltage        | 250 VAC                |
| Max. temperature     | +85 °C                 |
| Min. Temperature     | -25 °C                 |
| Resistance           | 50 MΩ                  |
| Width                | 44.5 mm                |

## Art. Nr.

RND 165-00030



L:2x7.8mH  
Cx:0.47μF(X2)  
Cy:4700pF(Y2)  
R:470K ohm