

Power Inlet with Filter

FEATURES:

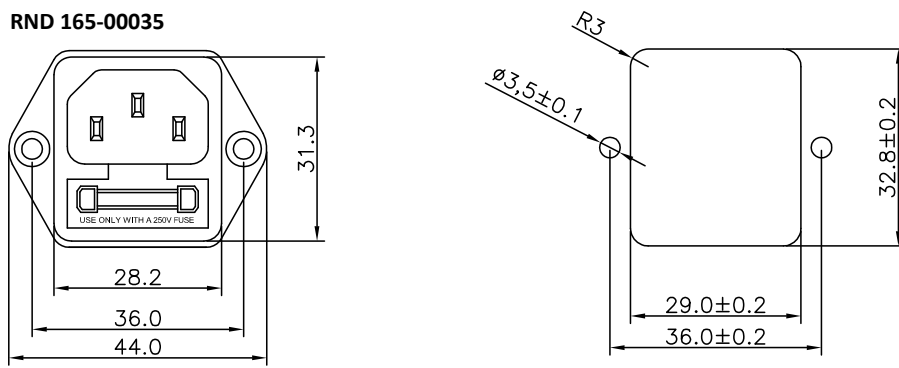
- Compact structure
- Convenient installation
- High cost performance

SPECIFICATION:

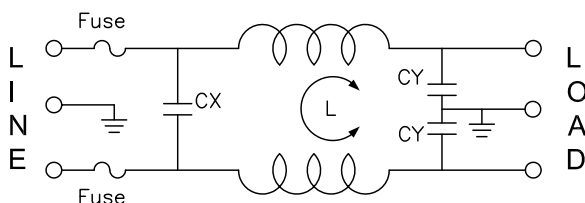
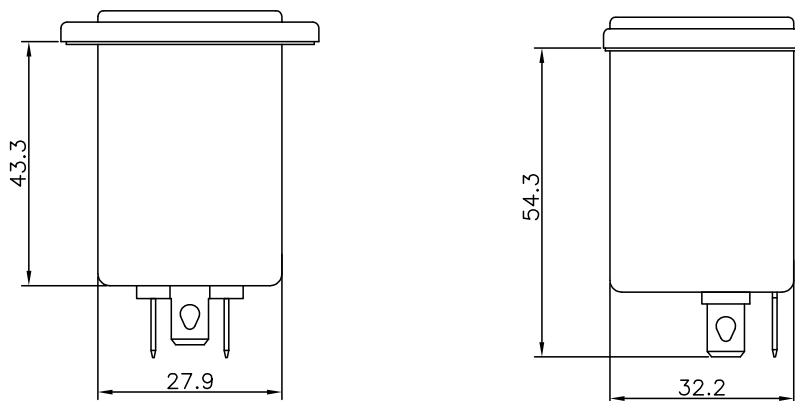
Depth	54.3 mm
Height	31.3 mm
IEC-climate category	25/085/21
Leakage current	0.8 mA @ 250VAC/50Hz
Rated current	2 A
Rated voltage	250 VAC
Max. temperature	+85 °C
Min. Temperature	-25 °C
Resistance	50 MΩ
Width	44 mm
Termination type	Blade Terminal 6.3 x 0.8 mm
Inlet type	C14

Art. Nr.

RND 165-00035



SUGGESTED PANEL CUTOUT



L:2x1.8mH
Cx:0.1uF(X2)
Cy:3300pF(Y2)*2