

TOROIDAL CORES

Toroidal cores provide high performance when wound and used as cores for transformers, inductors, or chokes.

FEATURES:

Minimal effect on transmission waveforms

Provide low cost noise countermeasures right at the data lines

Can be added as First-Aid, On-The Spot countermeasures when equipment or devices fail

APPLICATIONS:

Measuring equipment

Current sensing transformers

DC-DC converters

Telecommunications

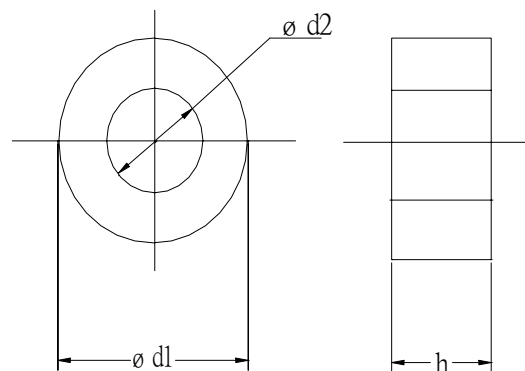
EMI filters

LAN matching and isolation transformers

LAN common mode chokes

Power supply common chokes

Inductors

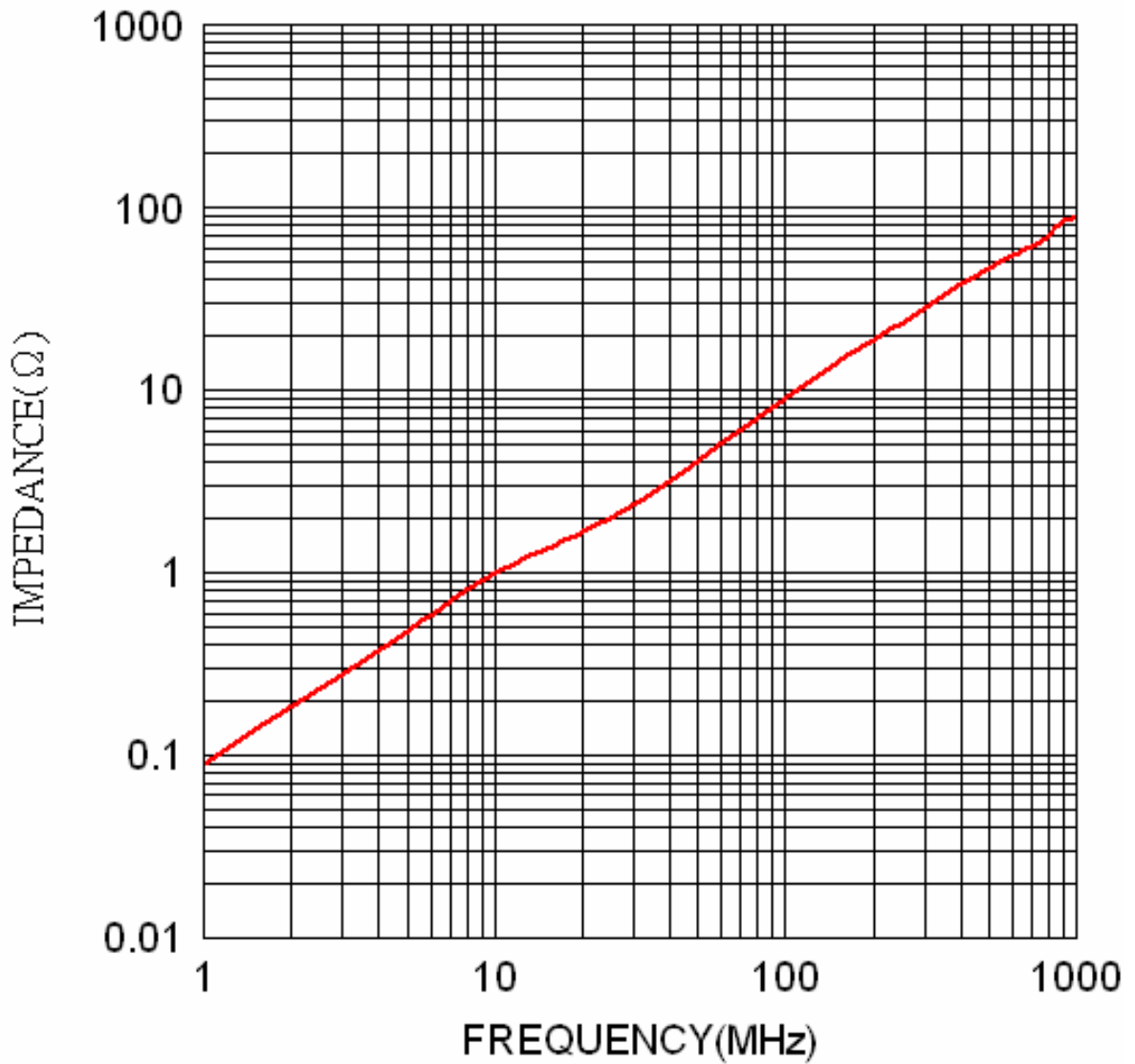


SPECIFICATION:

h	25.4 mm
$\varnothing d1$	50.8 mm
$\varnothing d2$	31.8 mm
Inductance Constant	160±12.8 nH
Initial Permeability	75
Max. Operating Temperature	200°C
Breakdown Voltage	500 VAC min. under 0.5mA, 10sec.

Frequency Graph

1. TEST INSTRUMENT: HP4286A



	1	5	10	25	100	200	300	400	500	600	700	800	900	1000
Z	0.09	0.48	0.99	2	9	19	28	38	46	55	61	71	84	87

(DATA BETWEEN 500MHz AND 1000MHz ARE FOR REFERENCE ONLY)

Art. Nr.
RND 165-00193