

TOROIDAL CORES

Toroidal cores provide high performance when wound and used as cores for transformers, inductors, or chokes.

FEATURES:

Minimal effect on transmission waveforms

Provide low cost noise countermeasures right at the data lines

Can be added as First-Aid, On-The Spot countermeasures when equipment or devices fail

APPLICATIONS:

Measuring equipment

Current sensing transformers

DC-DC converters

Telecommunications

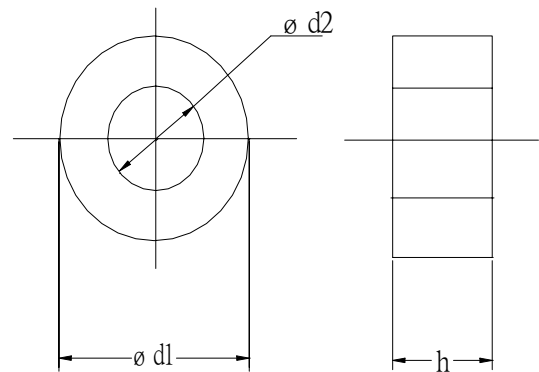
EMI filters

LAN matching and isolation transformers

LAN common mode chokes

Power supply common chokes

Inductors



SPECIFICATION:

h	11.1 mm
$\varnothing d1$	26.9 mm
$\varnothing d2$	14.5 mm
Inductance Constant	93±7.44 nH
Initial Permeability	75
Breakdown Voltage	500 VAC min. under 1mA, 10sec.

Art. Nr.

RND 165-00194