

TOROIDAL CORES

Toroidal cores provide high performance when wound and used as cores for transformers, inductors, or chokes.

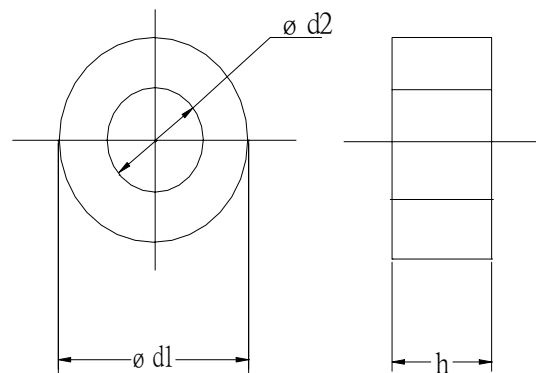
FEATURES:

- Minimal effect on transmission waveforms
- Provide low cost noise countermeasures right at the data lines
- Can be added as First-Aid, On-The Spot countermeasures when equipment or devices fail



APPLICATIONS:

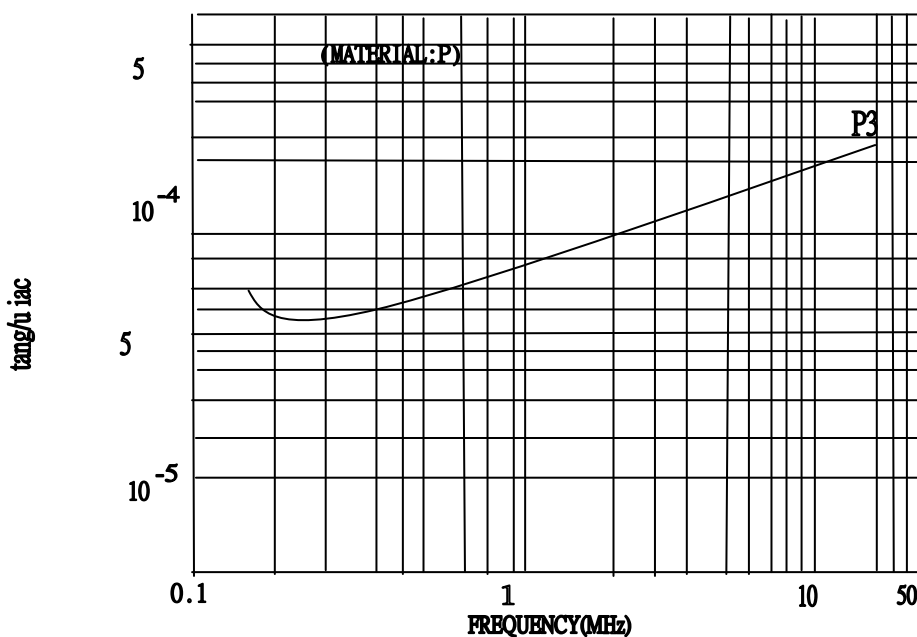
- Measuring equipment
- Current sensing transformers
- DC-DC converters
- Telecommunications
- EMI filters
- LAN matching and isolation transformers
- LAN common mode chokes
- Power supply common chokes
- Inductors



SPECIFICATION:

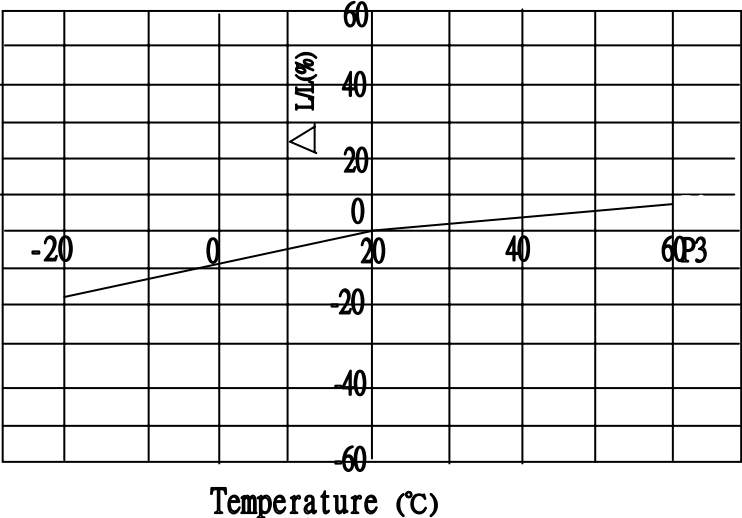
h	15 mm
ø d1	35.6 mm
ø d2	23 mm
Inductance Constant	0.17±0.043 uH
Applied Frequency Range	0.4 ... 20 MHz
AC Initial Permeability	100 ± 25% (uiac)
Curle Temperature	300 °C
Specific Gravity	4.4 g/cm ³
Relative Loss Factor	< 160 20 x 10 ⁻⁶ (MHZ)
Relative Temp Coeff of Initial Permeability	55 ... 130 x 10 ⁻⁶ /°C 20-70°C

Relative loss factor Vs frequency



Ferrite Toroidal Core

Inductance change Vs temperature



Art. Nr.
RND 165-00195