

TOROIDAL CORES

Toroidal cores provide high performance when wound and used as cores for transformers, inductors, or chokes.

FEATURES:

Minimal effect on transmission waveforms

Provide low cost noise countermeasures right at the data lines

Can be added as First-Aid, On-The Spot countermeasures when equipment or devices fail

APPLICATIONS:

Measuring equipment

Current sensing transformers

DC-DC converters

Telecommunications

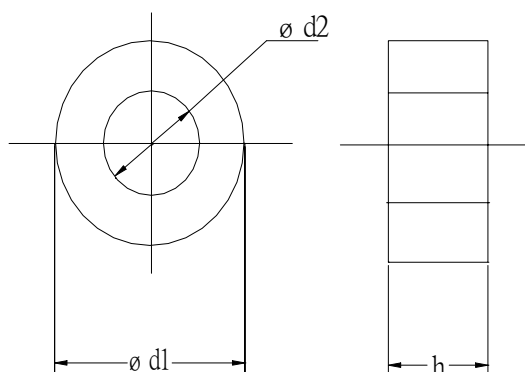
EMI filters

LAN matching and isolation transformers

LAN common mode chokes

Power supply common chokes

Inductors



SPECIFICATION:

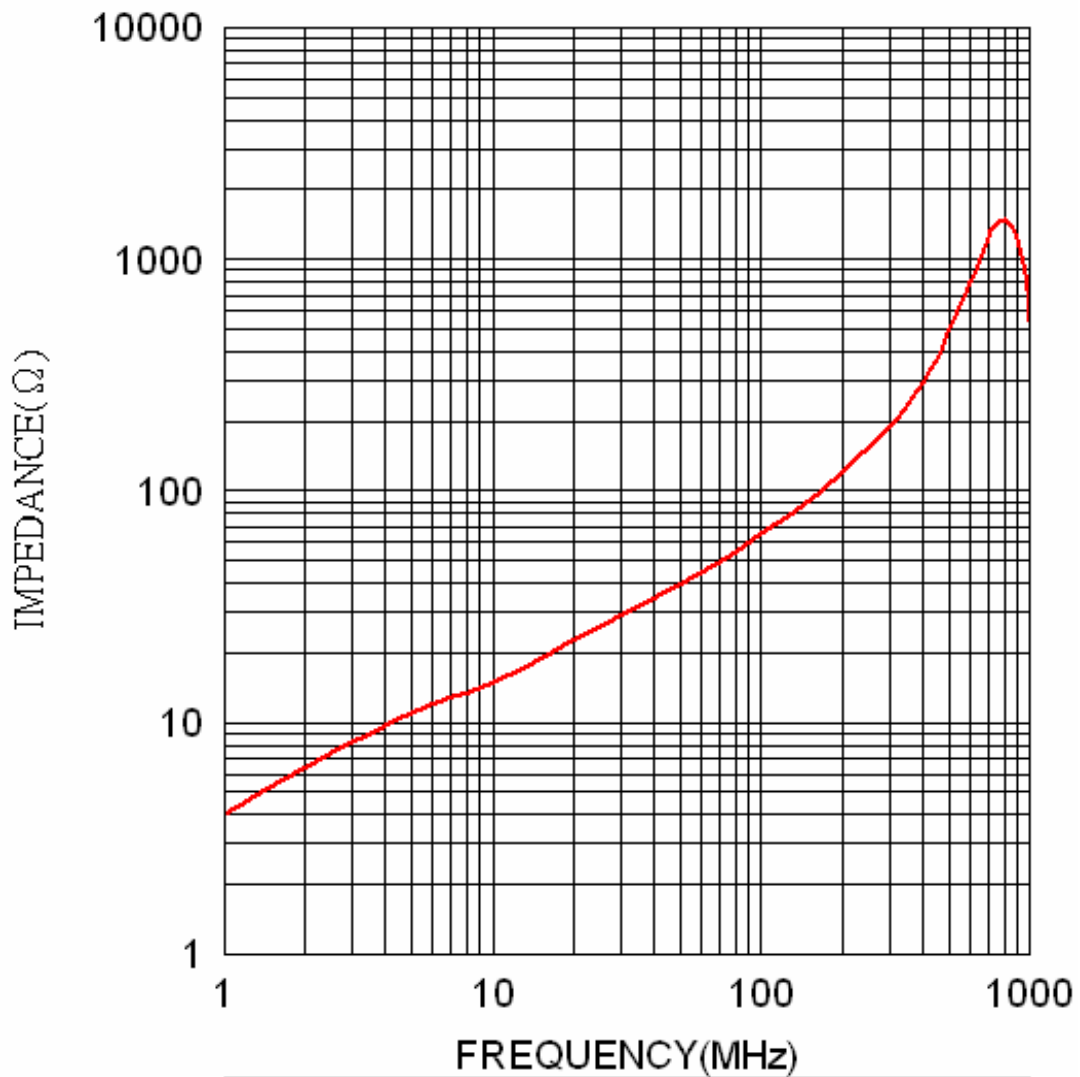
h	6.4 mm
$\varnothing d1$	21 mm
$\varnothing d2$	13.2 mm
Inductance Constant	0.47±0.12 uH

Art. Nr.

RND 165-00198

Frequency Graph

1. TEST INSTRUMENT: HP4286A
2. WINDING: 0.6ΦX100 mm 2 U. E. W 1TS



	1	5	10	25	100	200	400	600	800	1000
Z—	4	11	15	26	65	122	295	793	1468	538

(DATA BETWEEN 500MHz AND 1000MHz ARE FOR REFERENCE ONLY)

Art. Nr.
RND 165-00198