

TOROIDAL CORES

Toroidal cores provide high performance when wound and used as cores for transformers, inductors, or chokes.

FEATURES:

Minimal effect on transmission waveforms

Provide low cost noise countermeasures right at the data lines

Can be added as First-Aid, On-The Spot countermeasures when equipment or devices fail

APPLICATIONS:

Measuring equipment

Current sensing transformers

DC-DC converters

Telecommunications

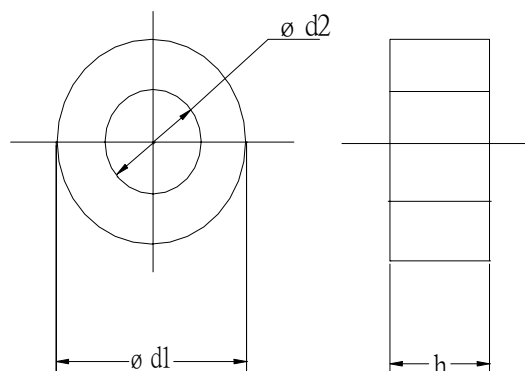
EMI filters

LAN matching and isolation transformers

LAN common mode chokes

Power supply common chokes

Inductors



SPECIFICATION:

h 12.7 mm

$\varnothing d1$ 35.6 mm

$\varnothing d2$ 23 mm

Inductance Constant 2.1±0.53 uH

Art. Nr.

RND 165-00207