

TOROIDAL CORES

Toroidal cores provide high performance when wound and used as cores for transformers, inductors, or chokes.

FEATURES:

Minimal effect on transmission waveforms

Provide low cost noise countermeasures right at the data lines

Can be added as First-Aid, On-The Spot countermeasures when equipment or devices fail

APPLICATIONS:

Measuring equipment

Current sensing transformers

DC-DC converters

Telecommunications

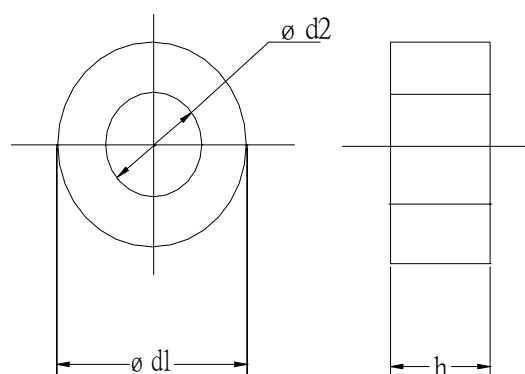
EMI filters

LAN matching and isolation transformers

LAN common mode chokes

Power supply common chokes

Inductors

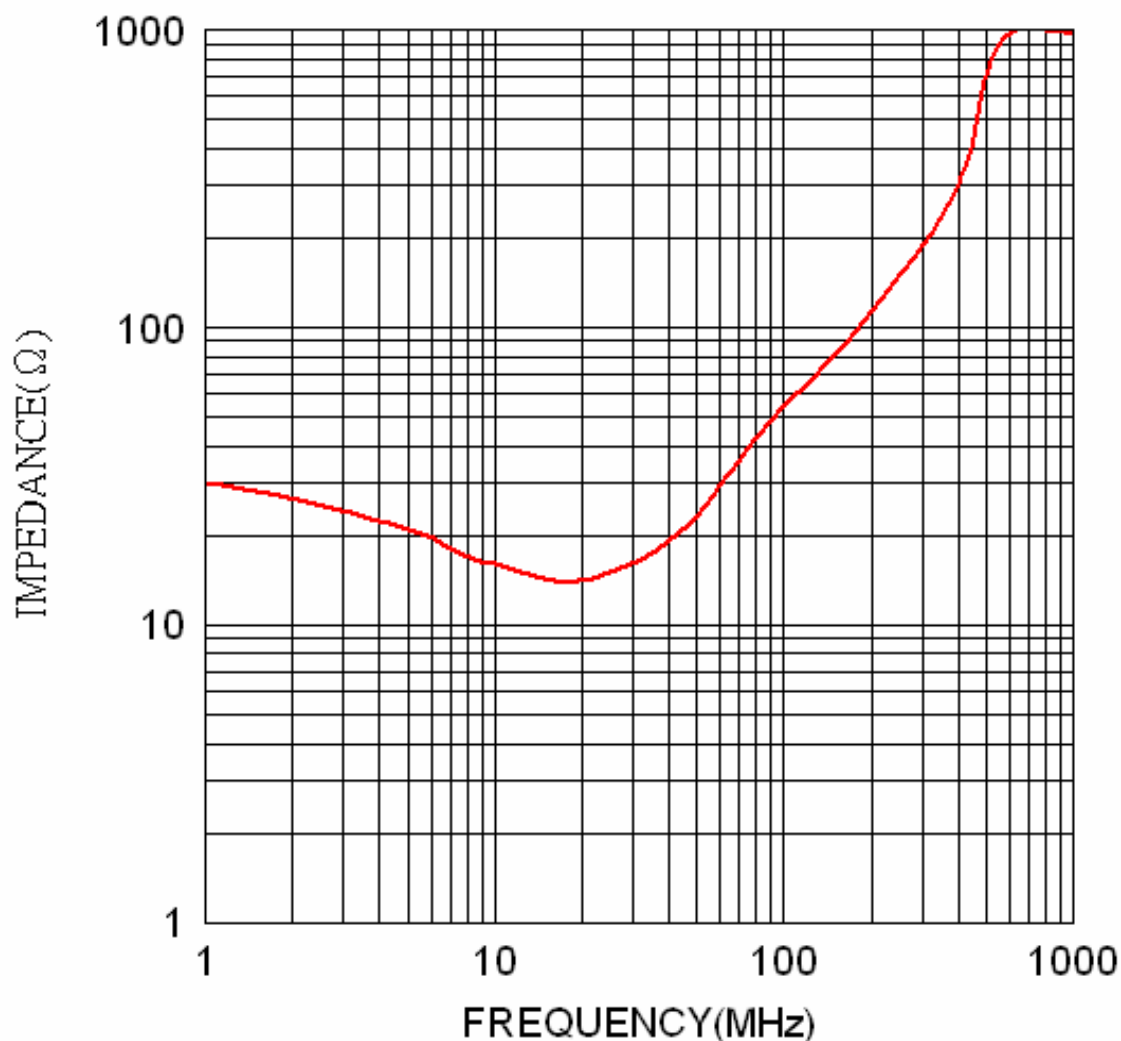


SPECIFICATION:

h	8 mm
$\varnothing d1$	20 mm
$\varnothing d2$	10 mm
Inductance Constant	5333±1333 nH

Frequency Graph

1. TEST INSTRUMENT: HP4286A
2. WINDING: 0.6 Φ X100 mm 2 U. E. W 1TS



	1	5	10	25	100	200	400	600	800	1000
Z —	30	21	16	15	54	114	300	977	999	964

(DATA BETWEEN 500MHz AND 1000MHz ARE FOR REFERENCE ONLY)

Art. Nr.
RND 165-00210