

TOROIDAL CORES

Toroidal cores provide high performance when wound and used as cores for transformers, inductors, or chokes.

FEATURES:

Minimal effect on transmission waveforms

Provide low cost noise countermeasures right at the data lines

Can be added as First-Aid, On-The Spot countermeasures when equipment or devices fail

APPLICATIONS:

Measuring equipment

Current sensing transformers

DC-DC converters

Telecommunications

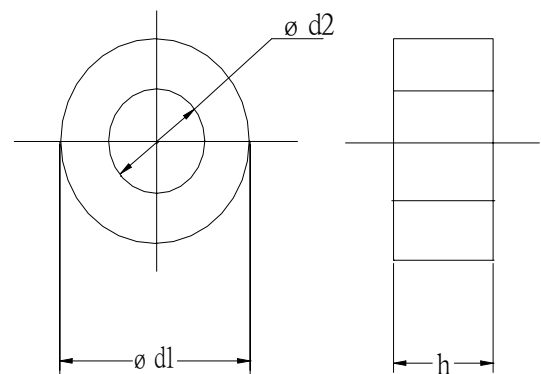
EMI filters

LAN matching and isolation transformers

LAN common mode chokes

Power supply common chokes

Inductors

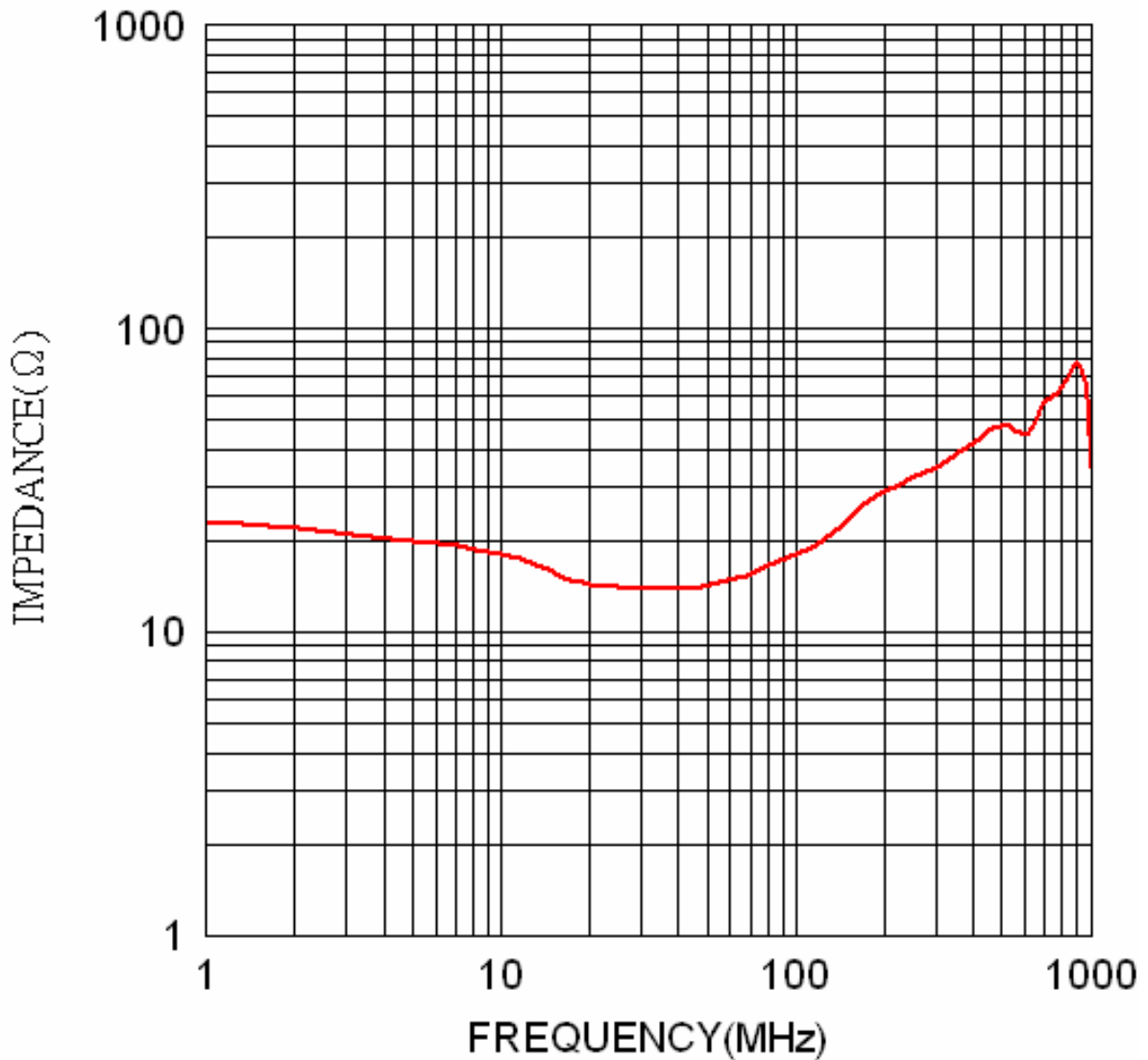


SPECIFICATION:

h	7 mm
ø d1	18 mm
ø d2	8.5 mm

Frequency Graph

1. TEST INSTRUMENT:HP4286A



	1	5	10	25	100	200	300	400	500	600	700	800	900	1000
Z —	23	20	18	14	18	29	35	42	48	45	57	64	77	35

(DATA BETWEEN 500MHz AND 1000MHz ARE FOR REFERENCE ONLY)

Art. Nr.
RND 165-00211