

Ferrite Toroidal Core

TOROIDAL CORES

Toroidal cores provide high performance when wound and used as cores for transformers, inductors, or chokes.

FEATURES:

Minimal effect on transmission waveforms

Provide low cost noise countermeasures right at the data lines

Can be added as First-Aid, On-The Spot countermeasures when equipment or devices fail

APPLICATIONS:

Measuring equipment

Current sensing transformers

DC-DC converters

Telecommunications

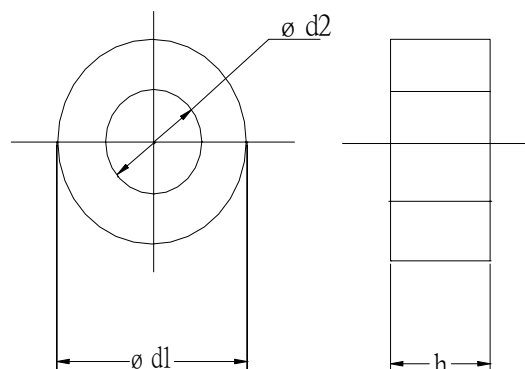
EMI filters

LAN matching and isolation transformers

LAN common mode chokes

Power supply common chokes

Inductors

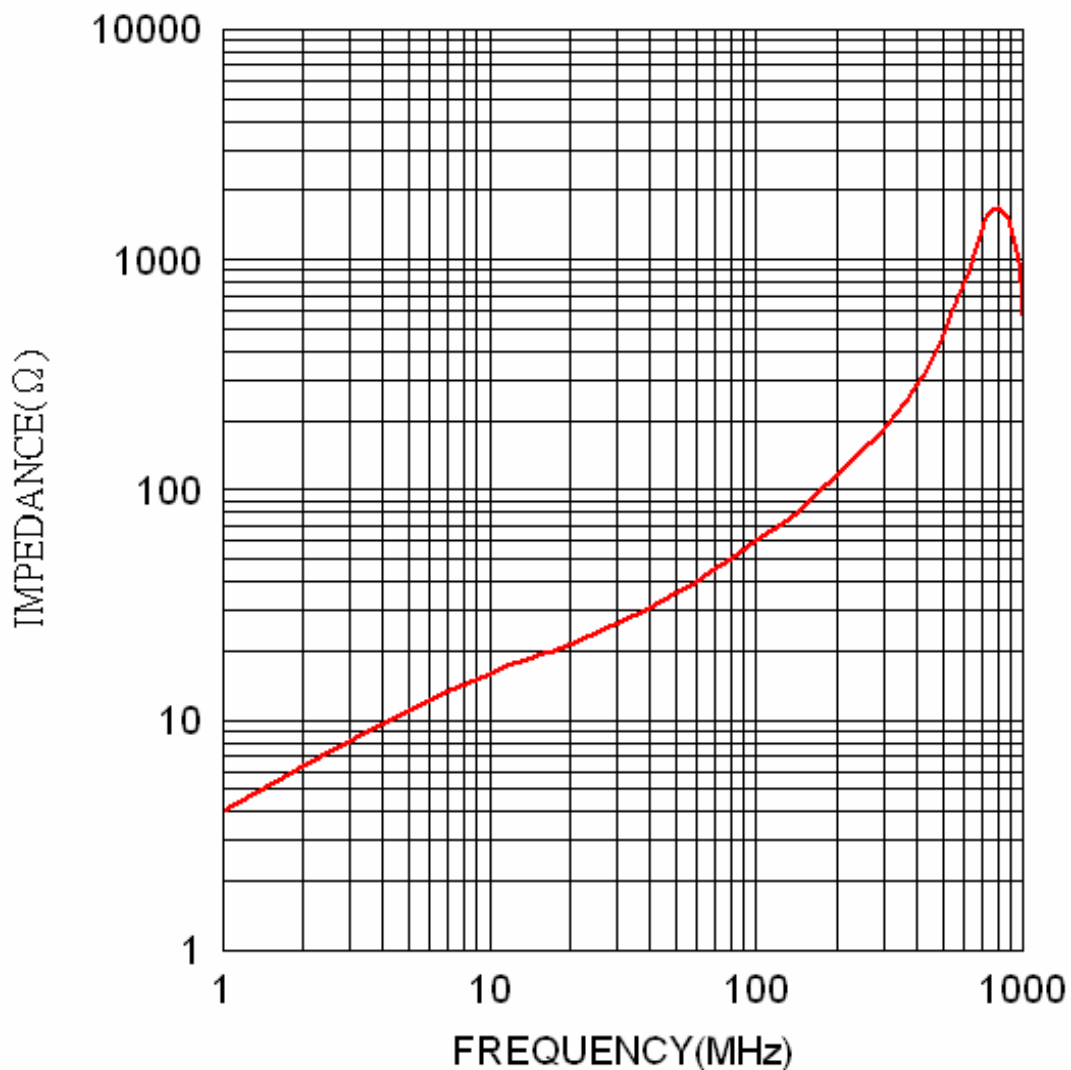


SPECIFICATION:

h	4.9 mm
$\varnothing d1$	10.9 mm
$\varnothing d2$	5.1 mm
Inductance Constant	2850±712.5 nH

Frequency Graph

1. TEST INSTRUMENT: HP4286A
2. WINDING: 0.6 Φ X 100 mm 2 U. E. W 1TS



	1	5	10	25	100	200	400	600	800	1000
Z —	4	11	16	24	60	117	289	788	1669	581

(DATA BETWEEN 500MHz AND 1000MHz ARE FOR REFERENCE ONLY)

Art. Nr.
RND 165-00215