

TOROIDAL CORES

Toroidal cores provide high performance when wound and used as cores for transformers, inductors, or chokes.

FEATURES:

Minimal effect on transmission waveforms

Provide low cost noise countermeasures right at the data lines

Can be added as First-Aid, On-The Spot countermeasures when equipment or devices fail

APPLICATIONS:

Measuring equipment

Current sensing transformers

DC-DC converters

Telecommunications

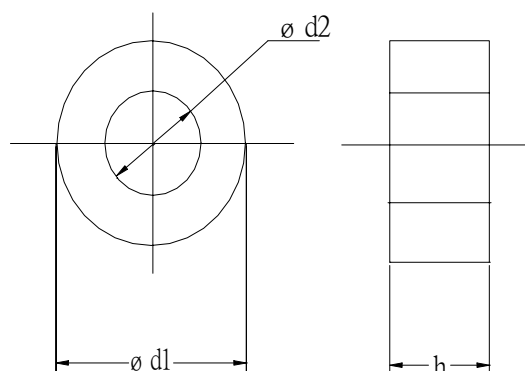
EMI filters

LAN matching and isolation transformers

LAN common mode chokes

Power supply common chokes

Inductors

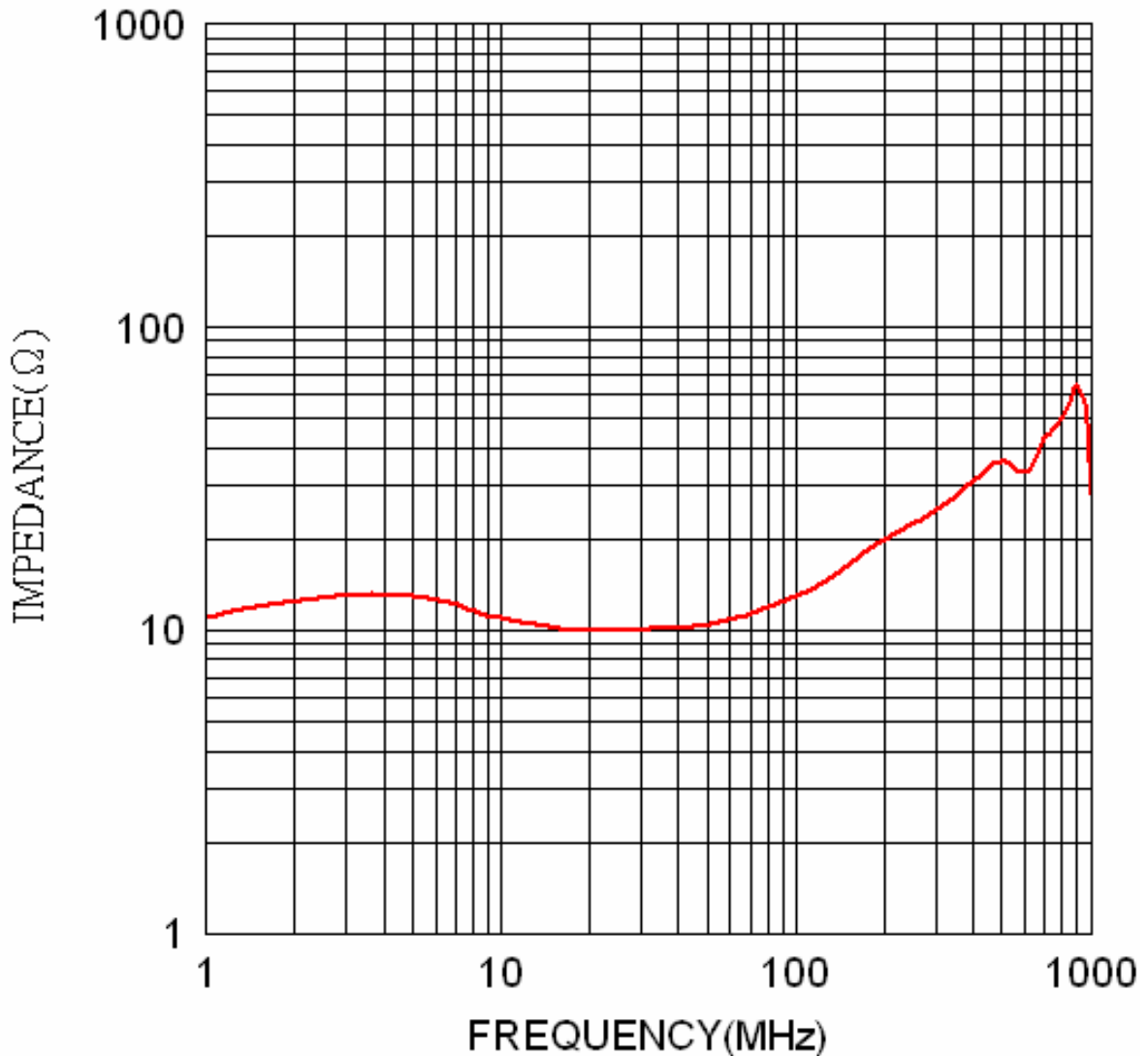


SPECIFICATION:

h	5.3 mm
$\varnothing d1$	13.4 mm
$\varnothing d2$	6.6 mm
Inductance Constant	5204 \pm 30% nH

Frequency Graph

1. TEST INSTRUMENT:HP4286A



	1	5	10	25	100	200	300	400	500	600	700	800	900	1000
Z	11	13	11	10	13	20	25	31	36	33	43	50	64	28

(DATA BETWEEN 500MHz AND 1000MHz ARE FOR REFERENCE ONLY)

Art. Nr.
RND 165-00218