

Split Ferrite

Features

- Excellent common mode EMI suppression on round cable assemblies
- Large core size prevents saturation during high signal surges
- The case allows a multi-core round cable to be fixed
- UL 94 V-2 Classification of the plastic case



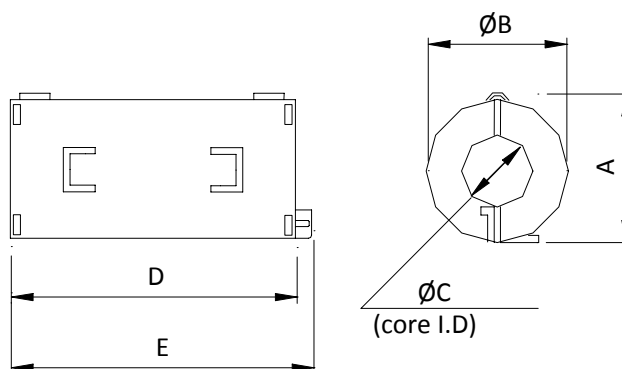
Application

Internal and external power cables. internal cables between pc boards and data connectors, computer peripherals, digital camera, DVD, fax machine cables, monitor cables, power supply cables. Printer cables

Specification

For Cable Size	Ø 13 mm
Sleeve Ferrite Case	PA66 94V-2
Colour	Grey
Impedance @ 25 MHz	70 Ω
Impedance @ 100 MHz	95 Ω
Operating Temperature	-25 ... 105 °C

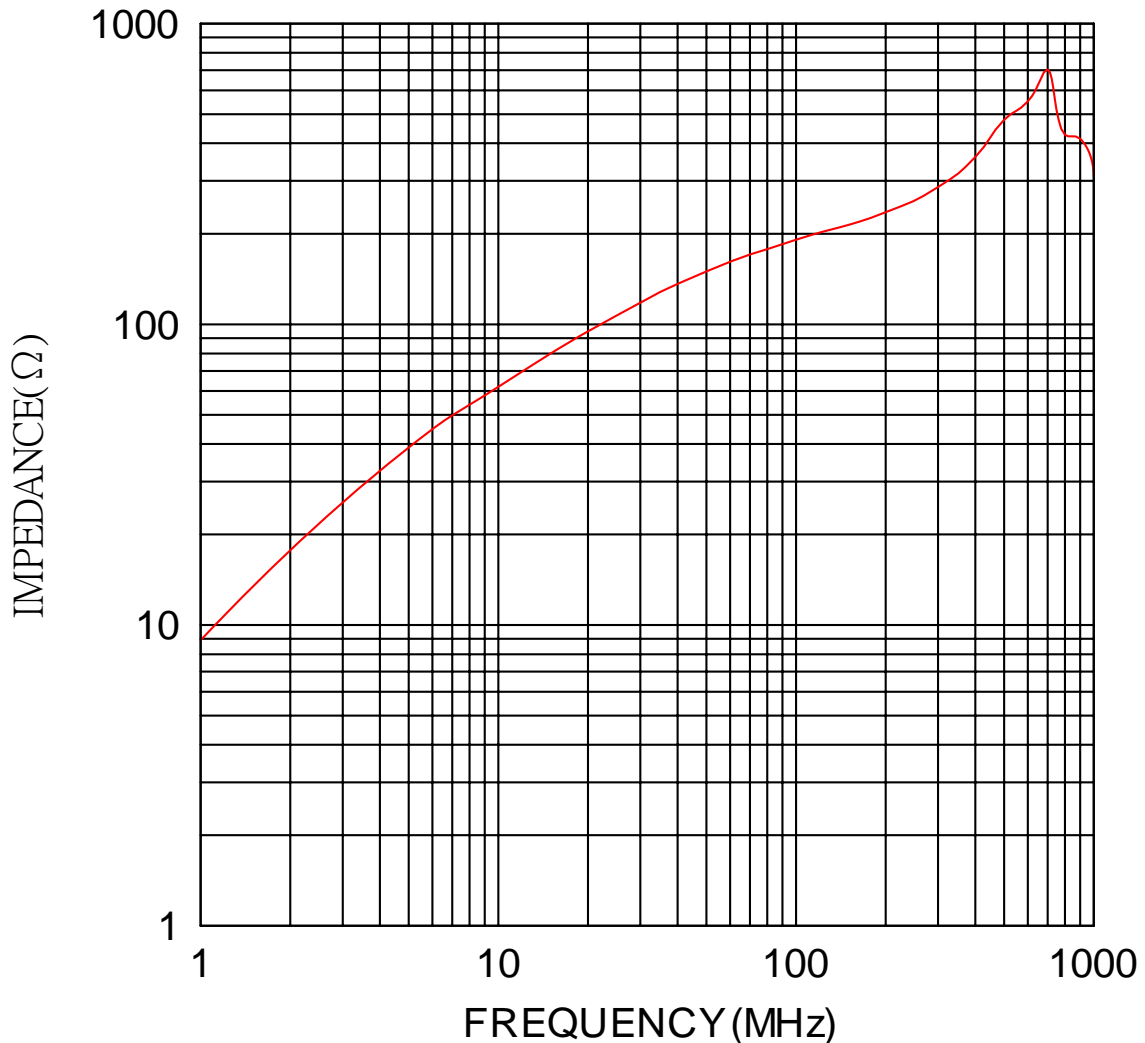
Drawing



A	31.5 ± 1 mm
B	30.5 ± 1 mm
C	13 ± 0.5 mm
D	34 ± 1 mm
E	39.5 ± 1 mm

Frequency Graph

1. TEST INSTRUMENT: HP4286A
2. WINDING: 0.5 Φ X100 mm 2 U. E. W 1TS



	1	5	10	25	50	100	200	300	400	500	600	700	800	900	1000
Z	8.9	39	62	96	5	188	236	286	360	479	551	704	27	414	11

(DATA BETWEEN 500MHz AND 1000MHz ARE FOR REFERENCE ONLY)

Art. Nr.
RND 165-00219