

Features

- Excellent common mode EMI suppression on round cable assemblies
- Large core size prevents saturation during high signal surges
- The case allows a multi-core round cable to be fixed



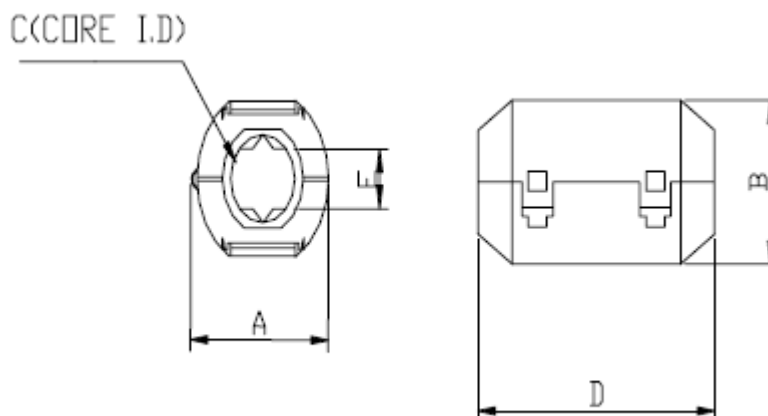
Application

Internal and external power cables. internal cables between pc boards and data connectors, computer peripherals, digital camera, DVD, fax machine cables, monitor cables, power supply cables. Printer cables

Specification

For Cable Size	\varnothing 3.5 ... 5 mm
Colour	Grey
Impedance @ 25 MHz	56 Ω
Impedance @ 100 MHz	75 Ω
Operating Temperature	-25 ... 105 °C

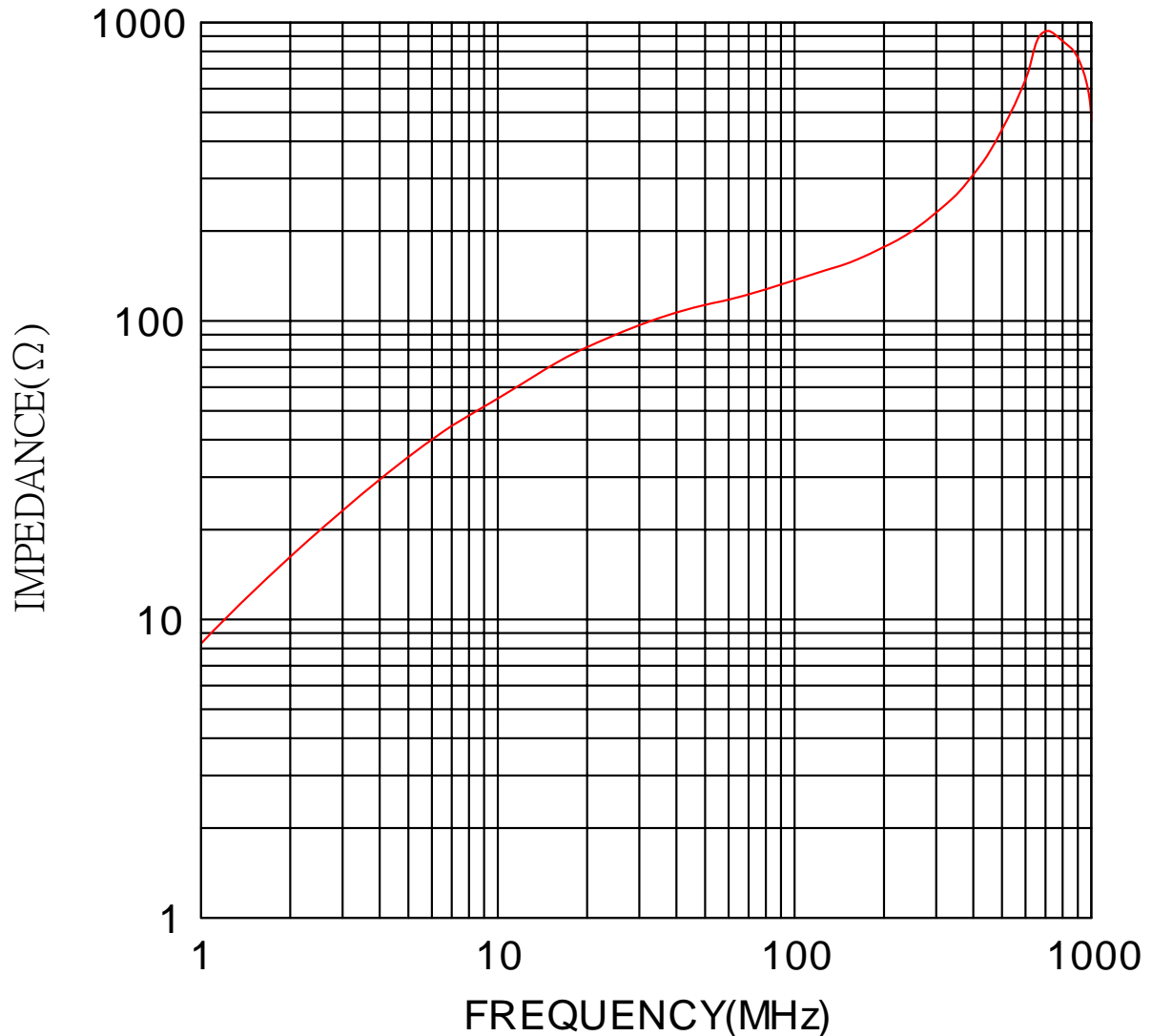
Drawing



A	13 ± 1 mm
B	11.8 ± 1 mm
C	5 ± 0.3 mm
D	25.5 ± 1 mm
E	2.5 ± 1 mm

Frequency Graph

1. TEST INSTRUMENT: HP4286A
2. WINDING: 0.5ΦX100 mm 2 U. E. W 1TS



	1	5	10	25	100	200	300	400	500	600	700	800	900	1000
Z —	8.3	35	55	90	137	177	231	309	438	642	935	866	761	466

(DATA BETWEEN 500MHz AND 1000MHz ARE FOR REFERENCE ONLY)

Art. Nr.
RND 165-00237