

Fuse Holder Clip

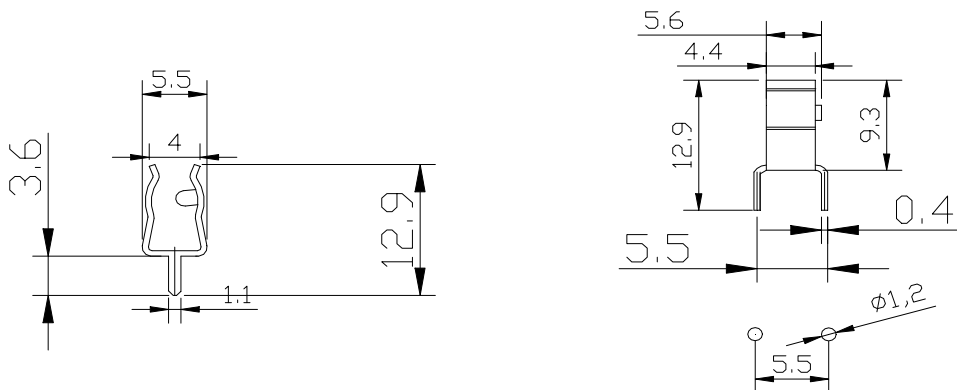


SPECIFICATION:

Terminal	Brass plated tin
Fuse size	ø 5 x 20 mm
Rated current	6.3 A
Rated voltage	250 VAC

Art. Nr.

RND 170-00190



Mounting hole size