

# D-Sub Connector

## 25P, Female

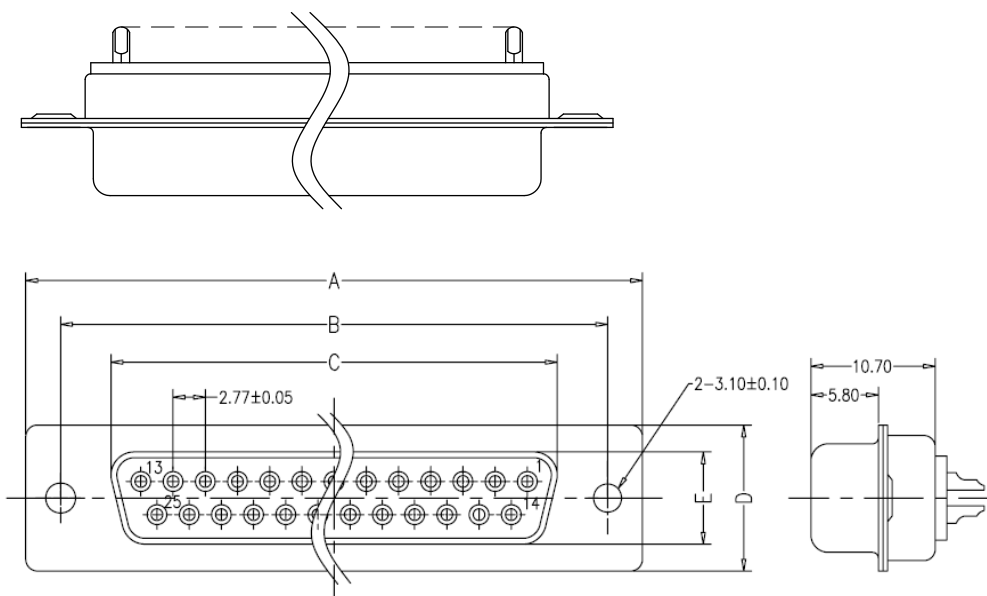


### SPECIFICATION:

Poles	25
Termination	Solder Cup / Solder Lug/Straight
Gender of contacts	Female
A	53.05 mm
B	47.05 mm
C	38.3 mm
Colour	Black
Contact material	Brass, Gold-Flashed
D	12.5 mm
E	7.9 mm
Housing Material	Steel/Tin-Plated
Insulator material	PBT
Outside material	Metal
Rated current	3 A
Temperature range	-55...+105 °C

Art. Nr.

RND 205-00706



RND Part Number	A±0.35	B±0.25	C±0.25	D±0.25	E±0.10
RND 205-00704	30.80	25.00	16.30	12.50	7.90
RND 205-00705	39.20	33.30	24.60	12.50	7.90
RND 205-00706	53.05	47.05	38.30	12.50	7.90
RND 205-00707	69.40	63.50	54.80	12.50	7.90