

D-Sub Gender Changer

25P, Female / Male

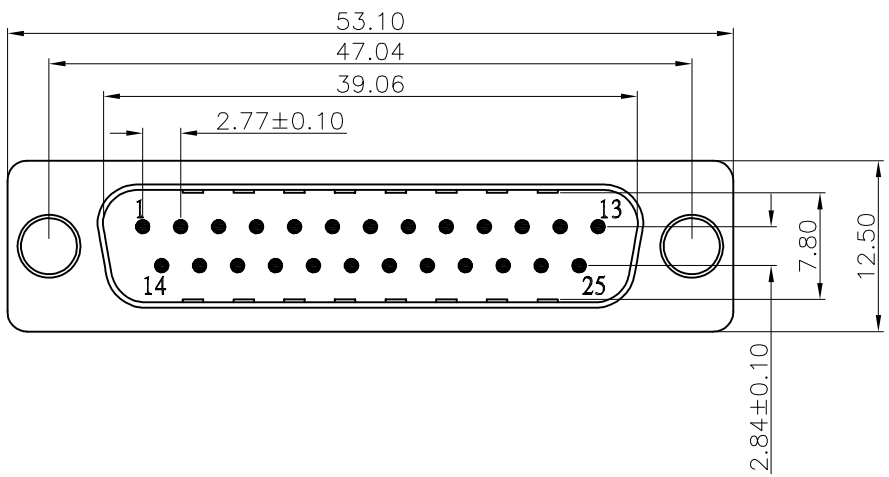
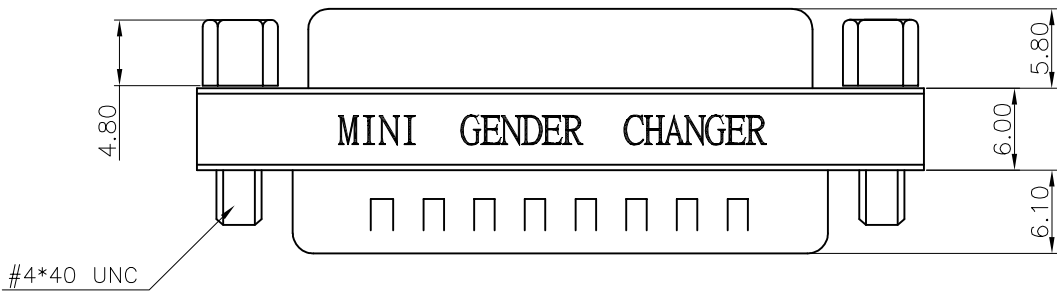
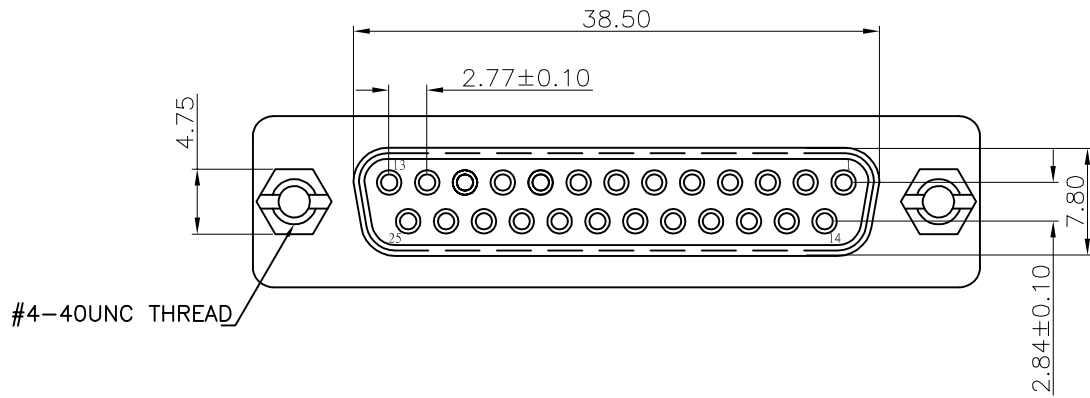


SPECIFICATION:

Poles	25
Insulator	PBT, UL 94 V-0
Gender of contacts	Female / Male
Connection A	D-SUB 25-Pin Female
Connection B	D-SUB 25-Pin Male
Housing material	Steel
Temperature range	-55...+105 °C
Rated current	3 A
Contact material	Brass, gold-plated
Dielectric withstand voltage	AC 1000 V RMS
Insulation resistance	1000 MΩ min. at DC 500 V

Art. Nr.

RND 205-00853



DGC 25F/M GENDER CHANGER
 PIN OUT: 25Female 25Male

1	-----	1
2	-----	2
	}	
24	-----	24
25	-----	25
G	-----	G