

# USB Type A Connector, SMT

4P



USB A type female connector  
SMT type  
Insulator colour: black  
Shell finish: nickelage

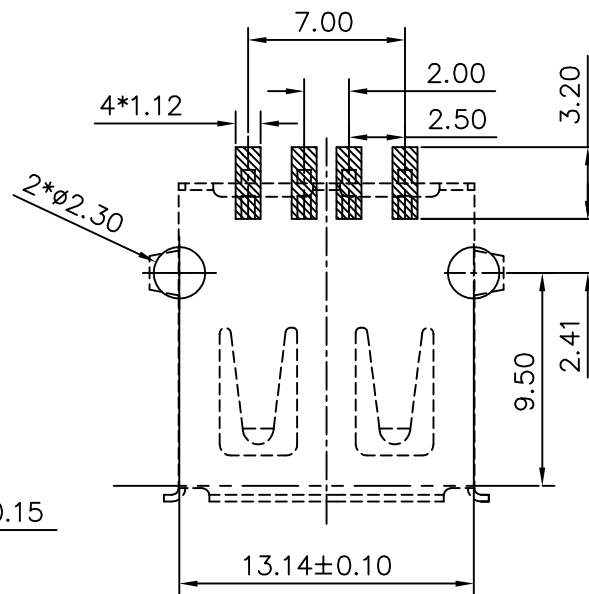
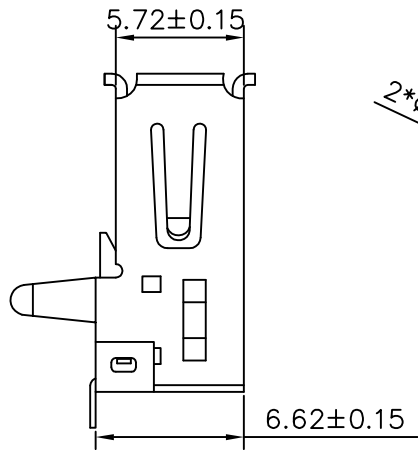
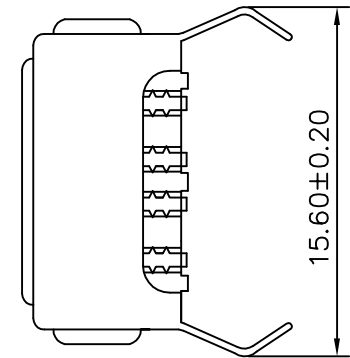
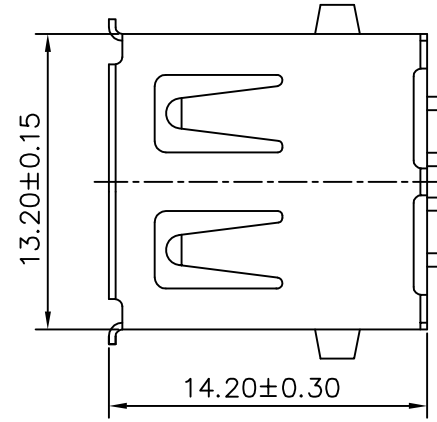
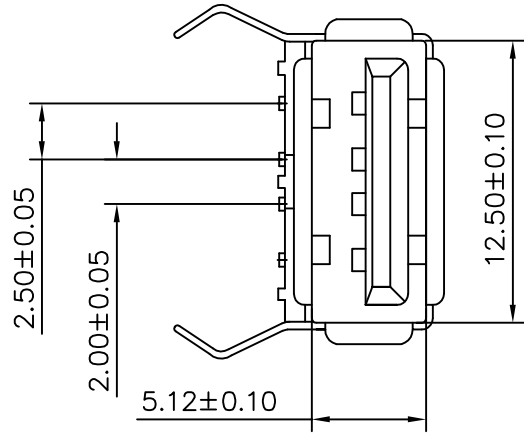
## SPECIFICATION:

Poles	4
Housing material	Brass (CuZn), UL 94 V-0
Temperature range	-55 ... +85 °C
Rated current	1.5 A
Contact material	Brass, Gold-Flashed
Dielectric withstand voltage	AC 500 V RMS
Insulation resistance	1000 MΩ min. at DC 500 V

Art. Nr.

**RND 205-00855**

Product drawing



RECOMMEND PCB LAYOUT

±

TOL 0.05