

# USB Type A Connector, Vertical

4P



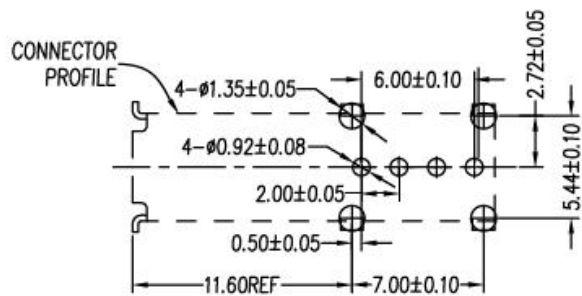
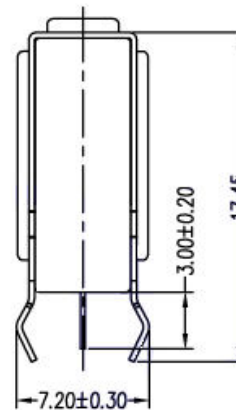
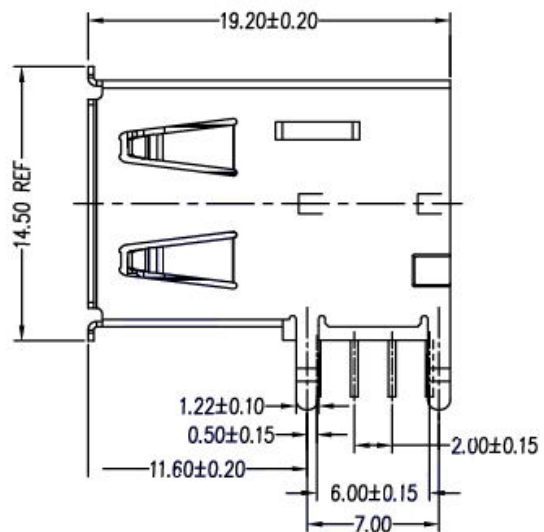
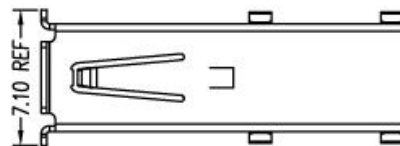
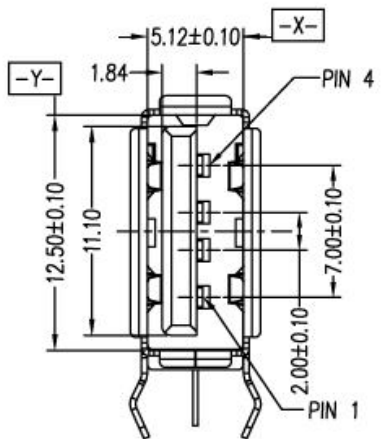
USB A type female connector  
Right angle type  
Insulator colour: white  
Shell finish: nickelage

## SPECIFICATION:

Poles	4
Housing material	Brass (CuZn), UL 94 V-0
Temperature range	-55 ... +85 °C
Rated current	1.5 A
Contact material	Brass, Gold-Flashed
Dielectric withstand voltage	AC 500 V RMS
Insulation resistance	1000 MΩ min.
Contact resistance	30 mΩ max.

**Art. Nr.**

**RND 205-00857**



RECOMMENDED PCB LAYOUT