

Adapter F Socket - F Socket

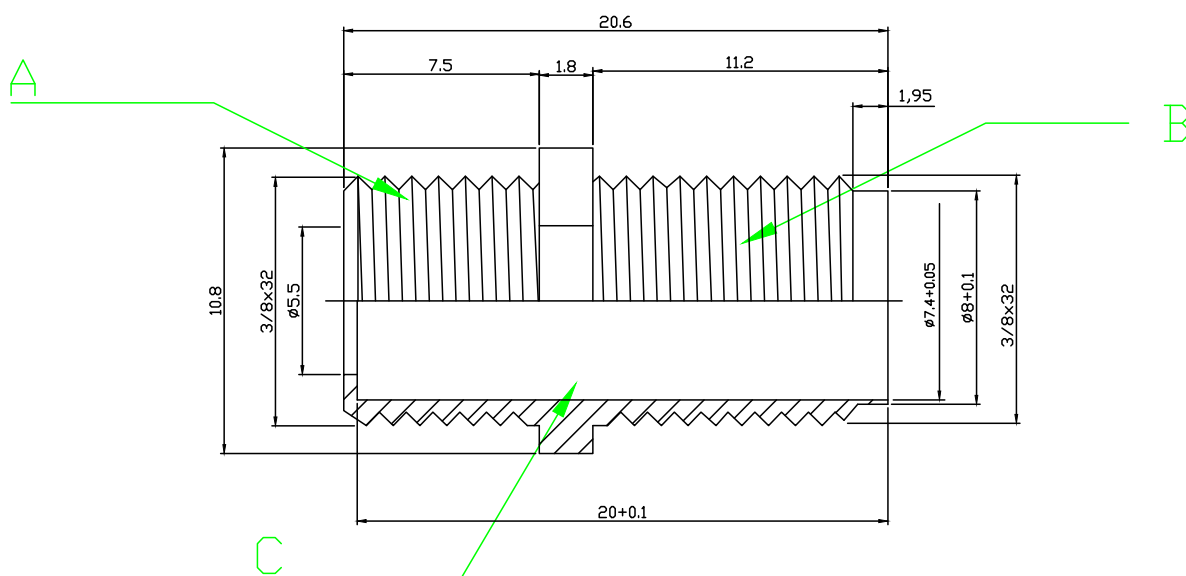


SPECIFICATION:

| | |
|-----------------------------|-----------|
| Connector Design | Straight |
| Connector Connection Method | Soldering |

MATERIALS:

| | |
|-----------------|-------------------------------|
| A (Housing) | Nickel Plated Copper |
| B (Connector 1) | F Female Nickel Plated Copper |
| C (Connector 2) | F Female Nickel Plated Copper |



Art. Nr.
RND 205-008892