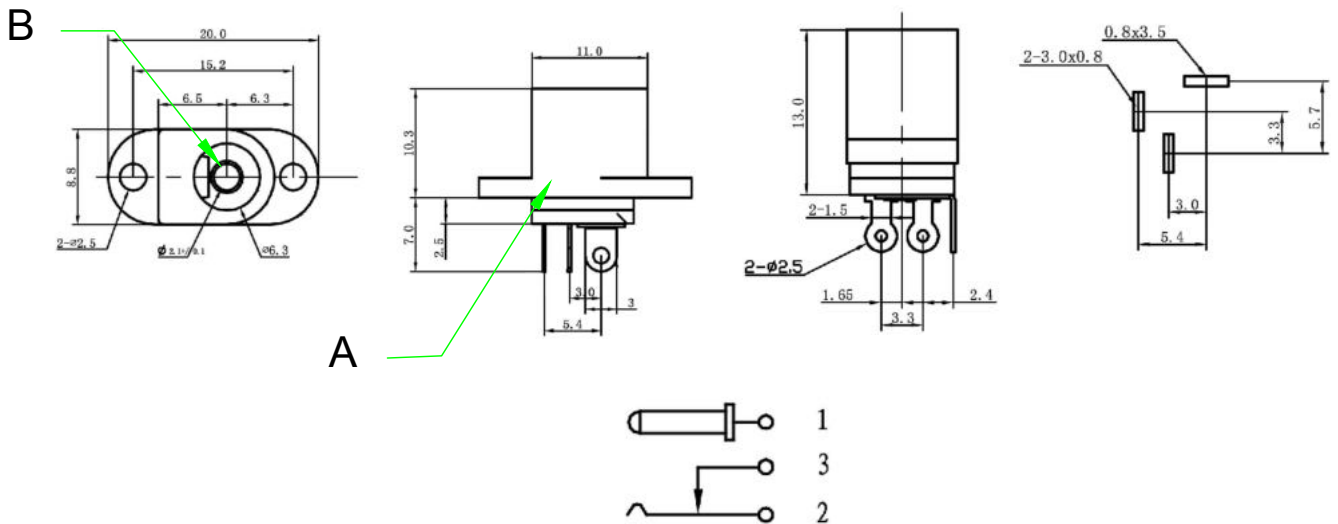


Power Jack



SPECIFICATION:

Connector Design	Straight
Connector Mounting Type	PCB Through Hole
Termination Type	Solder Terminal
A (Housing)	PBT Nickel Plated Copper
Mate Plug	DC 2.1*5.5mm Male



Art. Nr.
RND 205-00898