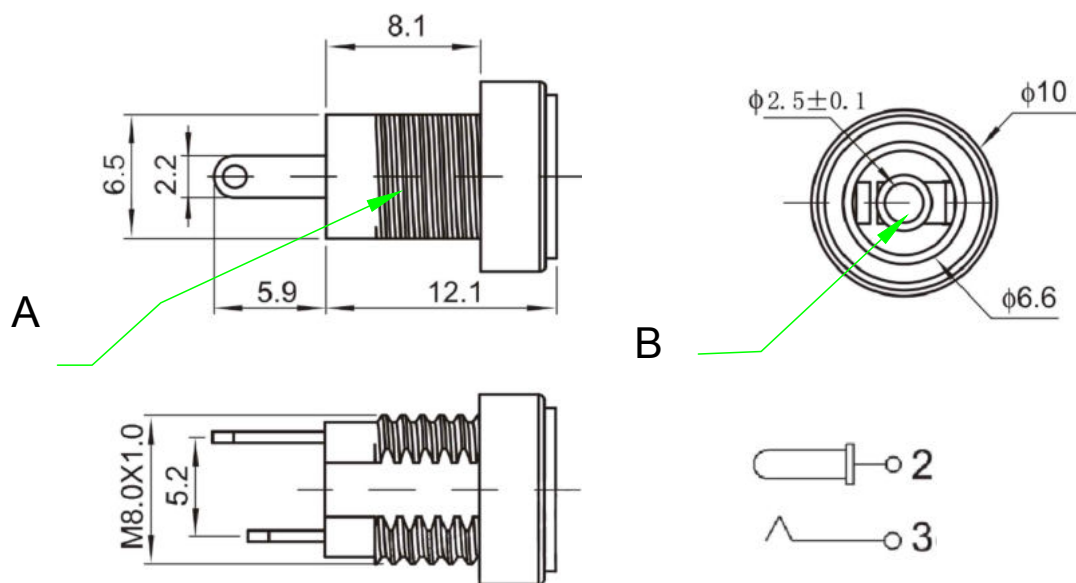


Power Jack



SPECIFICATION:

Body Orientation	Straight
Connector Mounting Type	Panel Mount
Termination Type	Solder Terminal
A (Housing)	PBT, Nickel Plated Copper
Mate Plug	DC 2.5*5.5mm Male



Art. Nr.
RND 205-00906