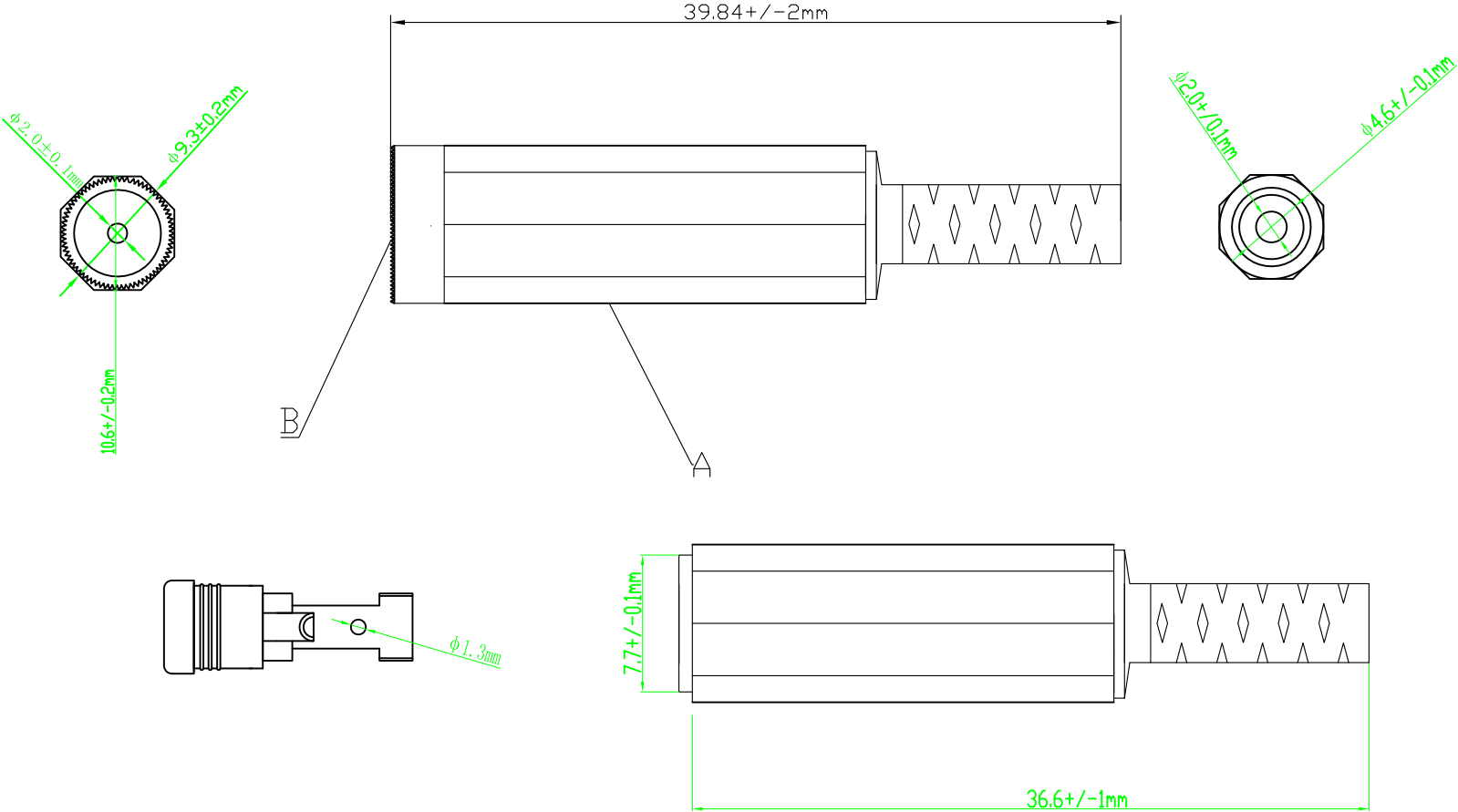


# DC Power Plug



**SPECIFICATION:**

Body Orientation	Straight
Connector Mounting Type	Cable Mount
Termination Type	Solder Terminal
A (Housing)	PVC, Nickel Plated Iron Shell
B (Connector 1)	Coupling Socket, Female, 2.1*5.5mm, Nickel Plated Zinc Alloy
Length	39.84 mm

Art. Nr.  
RND 205-00911