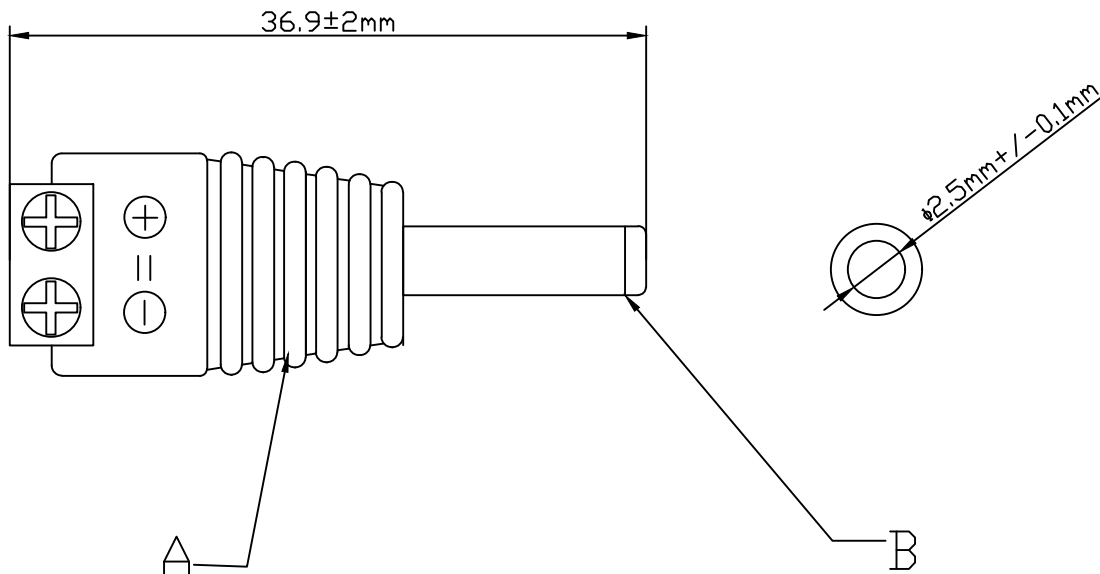


DC Plug 2.5 x 5.5mm to 2x Screw Terminals



SPECIFICATION:

Body Material	PVC, Black
Contact Material	Copper
Termination Type	Solder Terminal
Contact Plating	Nickel
Mounting Type	Cable Mount
Orientation	Straight
Termination Type	Screw
Connection Method	Soldering



Art. Nr.
RND 205-00927