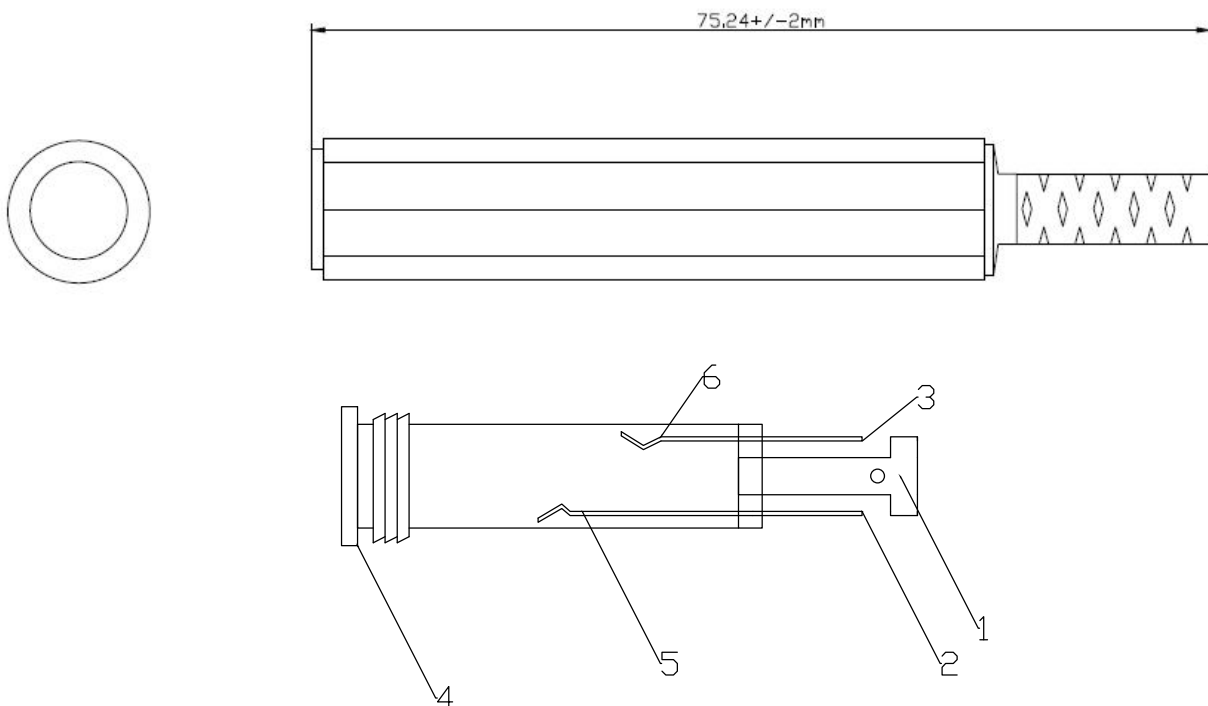


Extension Jack, 6.35mm



Specification

Body Material	PVC
Contact Material	Copper
Contact Plating	Nickel
Gender	Socket
Jack / Plug Colour	Black
Mounting Type	Cable Mount
Orientation	Vertical
Size	6.35 mm
Termination Type	Solder Terminal
Number of Poles	3
Audio Type	Stereo
Max Cable Size	6 mm



PIN OUT

4-----	1
5-----	2
6-----	3

NOTES:

ELECTRICAL CHARACTER:

- 1.100% OPEN&SHORTTESTING.
- 2.ROHS and REACH COMPLIANT.
3. Copper OD Toleranle +/- 0.02mm
- 4.connector connection method: soldering.

Art. Nr.
RND 205-01034