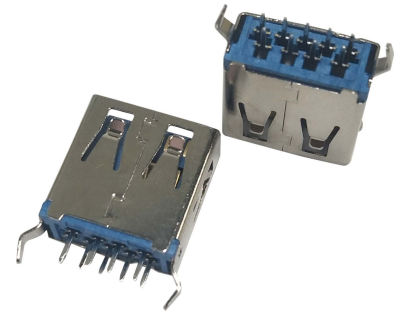


# USB 3.0 - A Connector

## Features

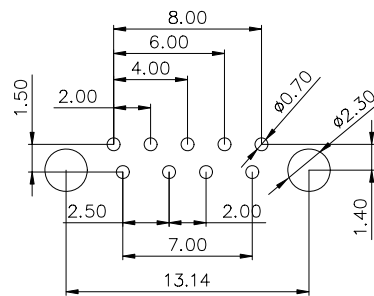
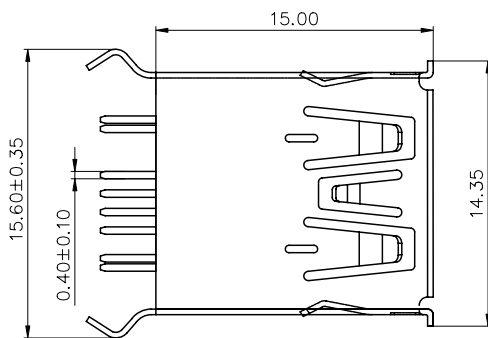
- 7
- Straight mounting type
- 0
- 8
- Blue insulator colour
- 0



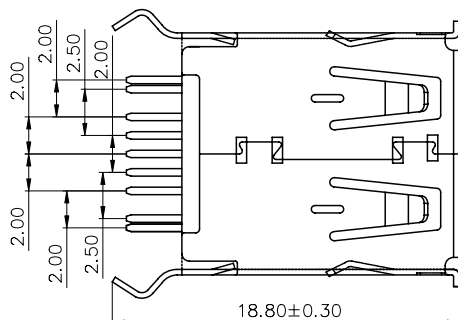
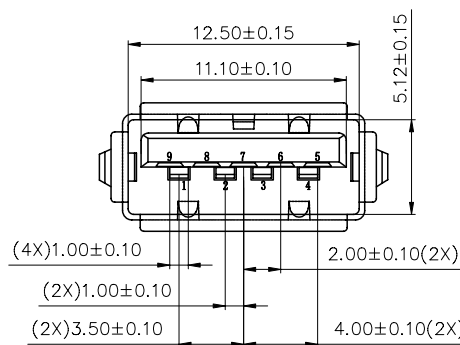
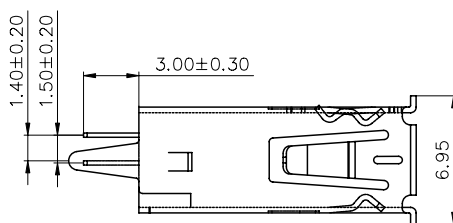
## Specification

Housing Material	PBT, UL94V-0
Terminal Material	Brass
Shell Material	Copper Alloy
Current Rating	1.5 A max. per Pin
Contact Resistance (Low Level)	30 mOhm max. initial.
Insulation Resistance	1000 MOhm min. initial.
Dielectric Withstanding Voltage	500 VAC
Operating Temperature Min.	-55 °C
Operating Temperature Max.	85 °C

## Drawing



RECOMMENDED PCB LAYOUT  
TOLERANCE: ±0.05mm



Pin NUMBER	SIGNAL NAME
1	VBUS
2	D-
3	D+
4	GND
5	StdA_SSRX-
6	StdA_SSRX+
7	GND_DRAIN
8	StdA_SSTX-
9	StdA_SSTX+
Shell	Shield

Art Nr:

**RND 205-01041**