

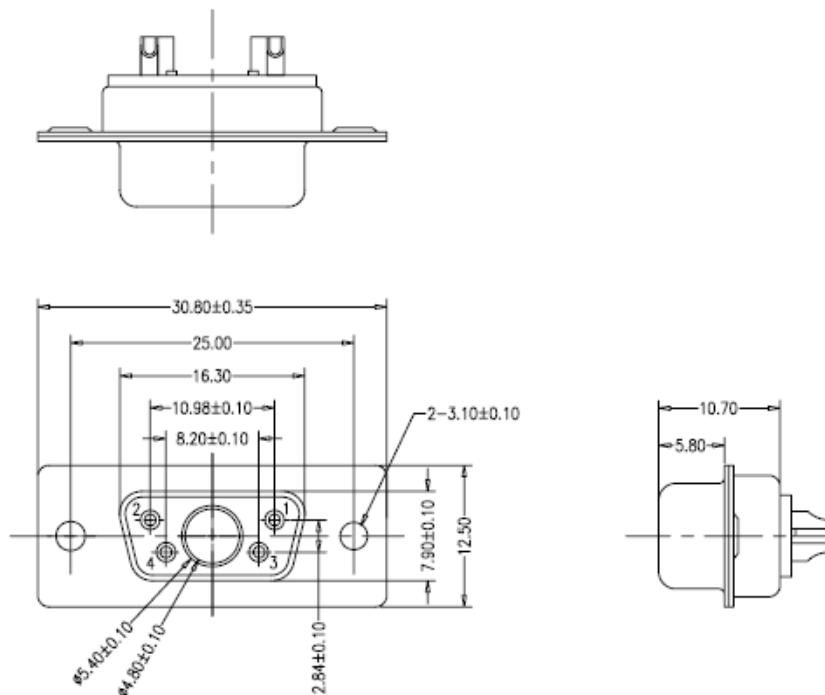
# D-Sub Combination Connector



## Specification

Contact Arrangement	5W1
Contact Type	Female
Mounting Type	Straight
Termination Type	Solder Lug
Insulation Resistance	500 Mohm min @ 500 VDC
Contact Resistance	25 mOhm max.
Operating Temperature Min.	-20 °C
Operating Temperature Max.	85 °C
Contact Material	Brass
Insulator Material	PBT, UL94V-0
Shell Material	Cold Roller Steel
Contact Finish Material	Gold
Insulator Colour	Black
Shell Finish Material	Front & Back Tin
Dielectric Withstanding Voltage	1000 VAC RMS

## Drawing



Art. Nr.  
RND 205-01104