

M8 Circular Panel Mount, Back Mount



Features

- Ideal for compact and space-sensitive industrial applications
- UL94-V0 flame retardant degree
- RoHS compliant

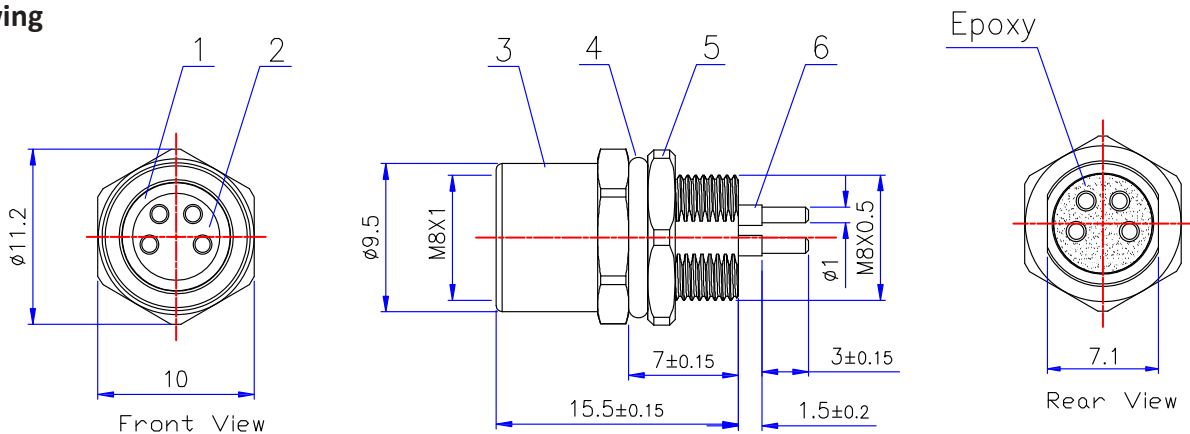


Specification

Protection Rating	IP67
Wire Connection Mode	Soldering
Operating Temperature Min.	-20 °C
Operating Temperature Max.	85 °C
Connector Size	M8
Gender	Socket
Tightening Torque	6 kg

Article Nr.	Number of Pins	Rated Voltage	Rated Current	Withstanding Voltage
RND 205-01129	3	60 V	3 A	850 VAC / 1 min
RND 205-01130	4	60 V	3 A	850 VAC / 1 min
RND 205-01131	6	30 V	1 A	650 VAC / 1 min

Drawing



Material Specification

1 - O-Ring	Rubber
2 - Insulator	PA66, Black
3 - Body	Brass, Nickel Finish
4 - O-Ring	Rubber
5 - Nut M8 x 0.5	Brass, Nickel Finish
6 - Contacts	Brass, Gold Finish

Pin Out

Recommended Mounting Hole

Pin Assignment Front View			P.C.B		
 3Pin	 4Pin	 6Pin	 3Pin	 4Pin	 6Pin