

# M12 Circular Panel Mount, Front Mount



## Features

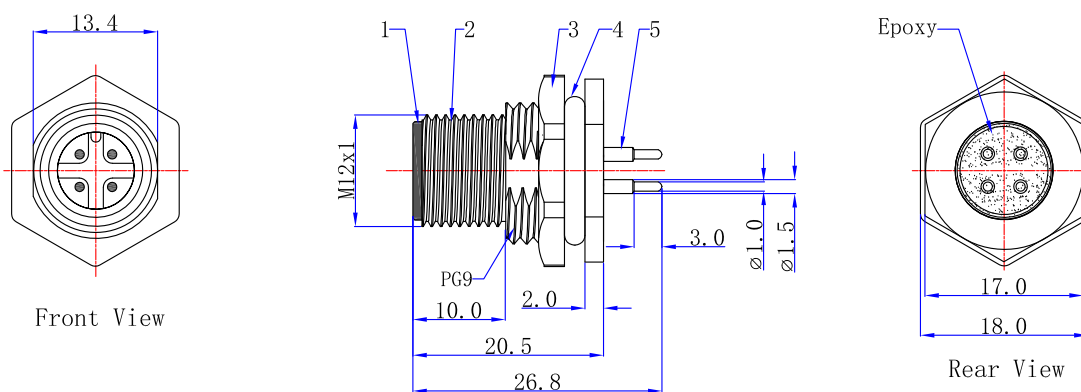
- For enclosure, panel and PCB applications
- UL94V-0 flame retardant
- RoHS compliant



## Specification

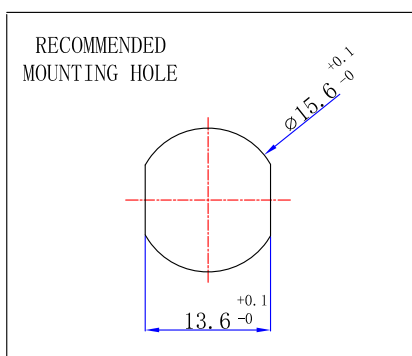
Protection Rating	IP67
Wire Connection Mode	PC Pins
Operating Temperature Min.	-40 °C
Operating Temperature Max.	80 °C
Connector Size	M12
Gender	Plug

## Drawing



Article Nr.	Number of Pins	Rated Voltage	Rated Current	Withstanding Voltage
RND 205-01184	3	250 V	4 A	1.5 kVAC / 1 min
RND 205-01185	4	250 V	4 A	1.5 kVAC / 1 min
RND 205-01186	5	60 V	4 A	1.12 kVAC / 1 min
RND 205-01187	8	30 V	2 A	500 VAC / 1 min

## Pin Out



Pin Assignment Front View				P. C. B			
3Pin	4Pin	5Pin	8Pin	3Pin	4Pin	5Pin	8Pin