

Ground Terminal Block

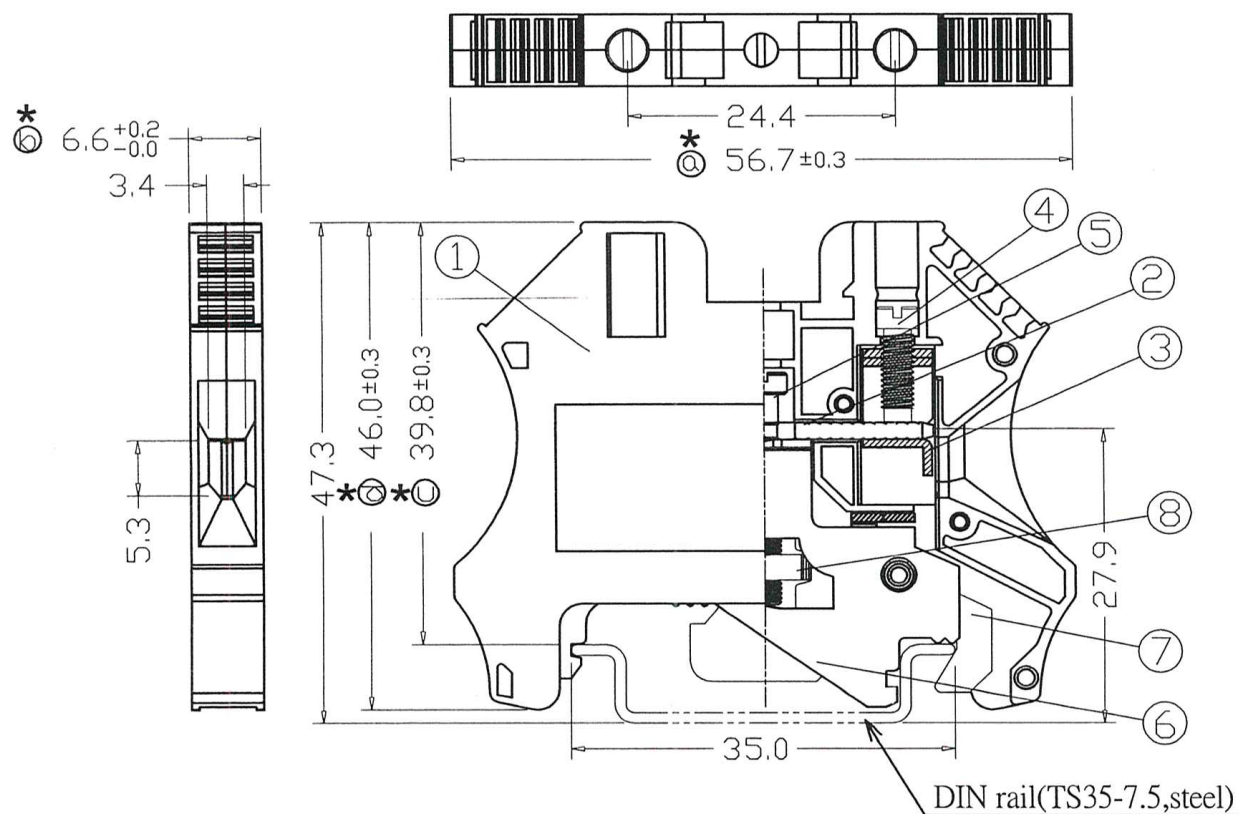


| Specification | CUL | IEC |
|---------------------------|-------------------------------|---------------------------|
| Solid Wire | 26 ... 10 AWG | 0.5 ... 4 mm ² |
| Stranded Wire | 26 ... 10 AWG | 0.5 ... 4 mm ² |
| Impulse Withstand Voltage | 8 kV | |
| Torque (Terminal Screw) | 1 Nm | |
| Torque (Mounting Screw) | 0.5 ... 0.64 Nm | |
| Terminal Screw | M3 (Slotted Head) | |
| Mounting Screw | M3 (Slotted Head) | |
| Wire Strip Length | 8 ... 10 mm | |
| Mounting Din-Rail | TS35-7.5/TS35-15/TS32 (Steel) | |
| Insulation Colour | Green / Yellow | |

Material Specification

| | |
|------------------------|-----------------------|
| 1 - Insulating Body | PA66 (UL94 V-0) |
| 2 - Terminal | Brass, Tin Plated |
| 3 - Cage Clamp | Steel, Zinc Finish |
| 4 - Terminal Screw | Steel M3, Zinc Finish |
| 5 - Mounting Screw | Steel M3, Zinc Finish |
| 6 - Contact Piece of 1 | Brass, Tin Plated |
| 7 - Contact Piece of 2 | Steel, Zinc Finish |
| 8 - Nut | Steel, Zinc Finish |

Drawing



Art. Nr.
RND 205-01332

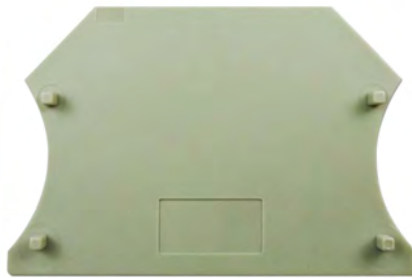
Din-Rail Terminal Block



Accessories



End Bracket
RND 205-01335



End Plate
RND 205-01336



Slotted VDE Screwdriver
RND 550-00389



Plug-In Bridges
RND 205-01338 - 2 Poles
RND 205-01339 - 3 Poles
RND 205-01340 - 4 Poles



Marking Tag Numbers
RND 205-01341
RND 205-01342



Top Hat DIN-Rails
RND 465-00764
RND 465-00765
RND 465-00766