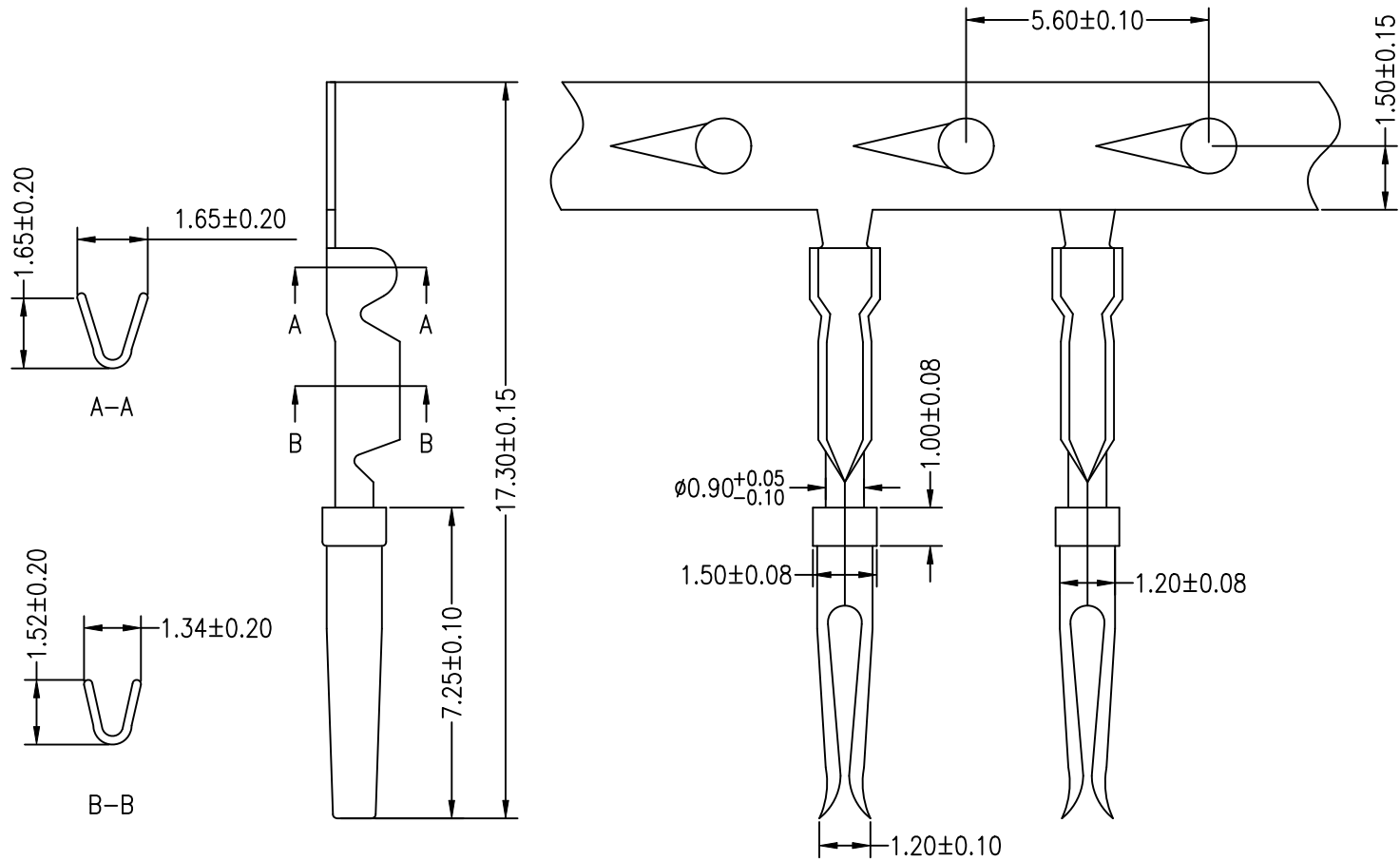


Crimp Contact



NOTE:

- 1.MATERIAL:BRASS $T=0.20 \pm 0.03$ mm.
- 2.CABLE OD: #26-28AWG
- 3.ALL ROUND NO DEFINED IS R0.15mm.
- 4.BURR IS ALLOWED 0.05 MAX.

Art Nr.
RND 205-01377