

BNC-T Adapter



Features

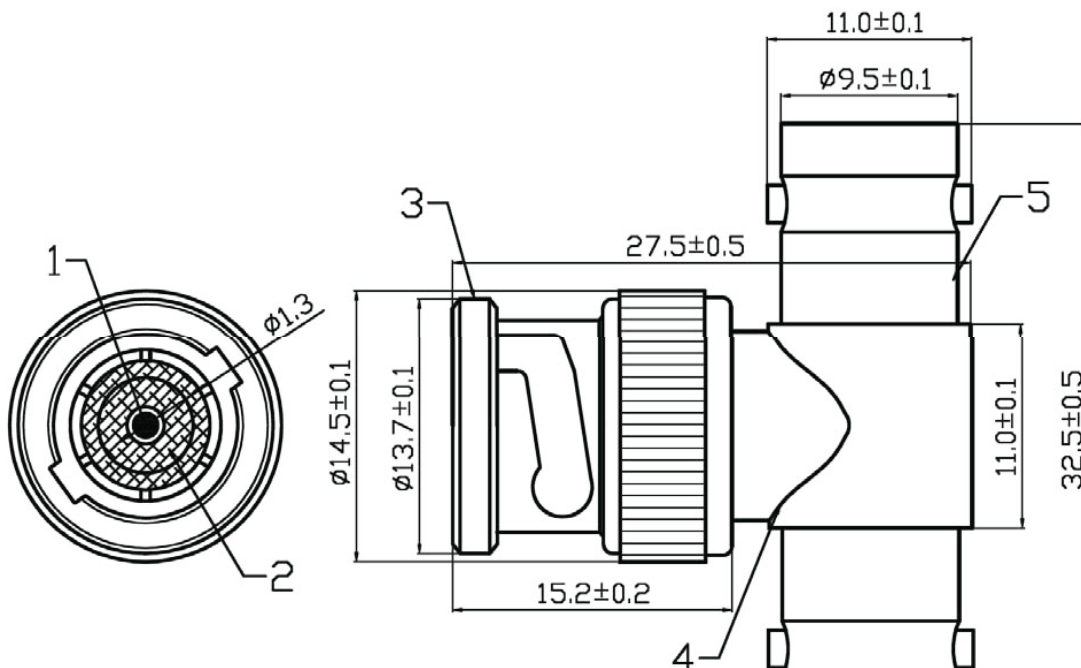
- Superior quality BNC adapter
- Bayonet lock
- Delrin insulation
- Crimp termination type



Specification

Colour	Silver
Impedance	50 Ω
Insulation Material	POM
Seal Type	Bayonet
Adapter Type	T-Type
Body Material	Brass
Connector Type A	1x BNC Plug
Connector Type B	2x BNC Socket

Drawing



Material Specification

1 - Male Pin	Brass
2 - Dielectric	POM
3 - Shell	Zn
4 - Body	Zn
5 - Female Part	Zn
6 - Female Pin	Brass

Art. Nr.
RND 205-01485