

# Jack Panel Socket



## Features

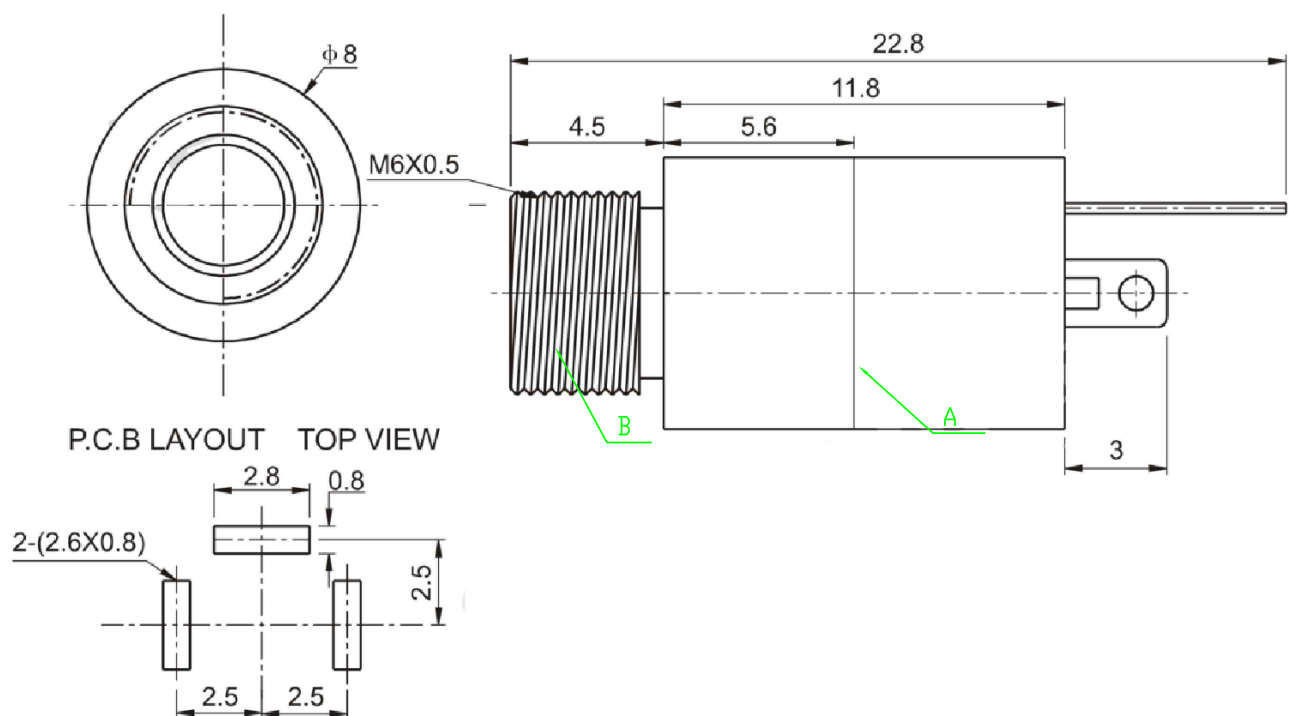
- RoHS compliant
- Solder connection
- Single-hole mounting



## Specification

Audio Type	Stereo
Body Material	Polyamide
Contact Plating	Nickel
Gender	Socket
Jack / Plug Colour	Nickel / Black
Mounting Type	Panel Mount
Orientation	Vertical
Poles	3
Size	3.5 mm
Termination Type	Solder Terminal

## Drawing



Art. Nr.  
RND 205-01490