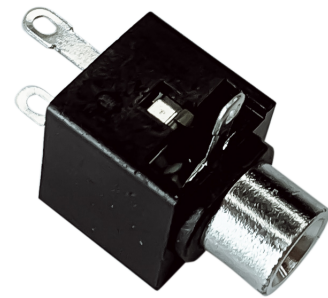


Jack Panel Socket



Features

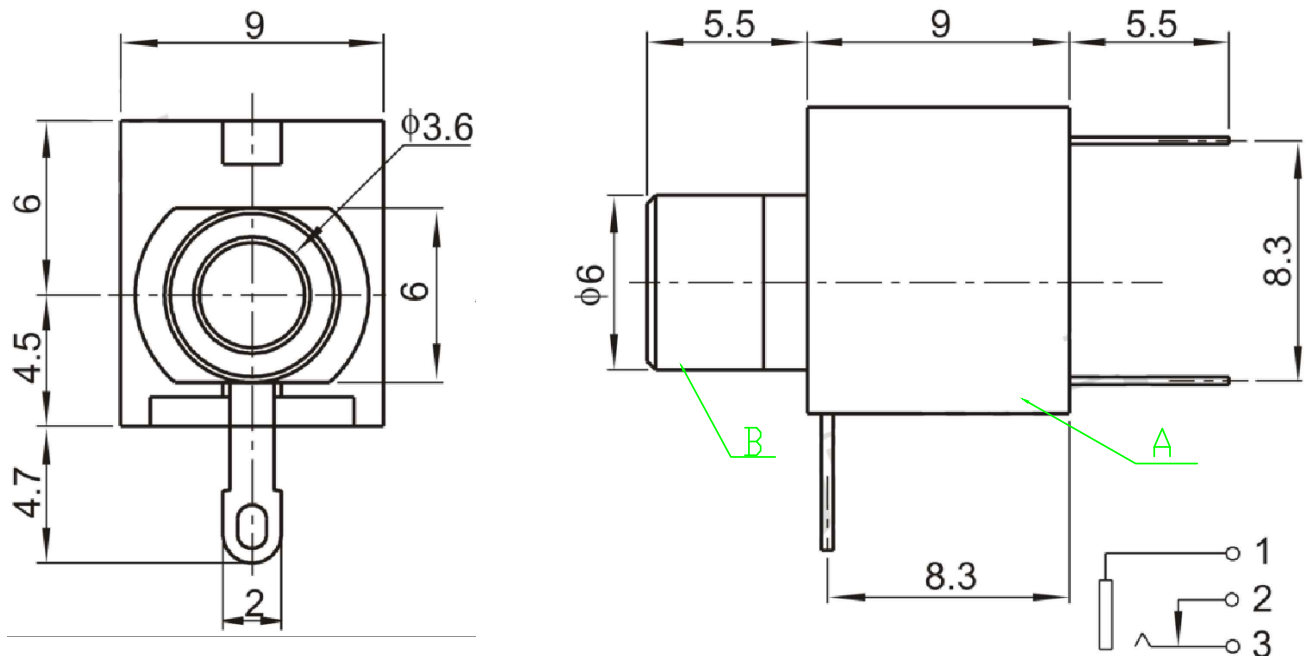
- RoHS compliant
- Solder connection
- Panel mounting



Specification

Audio Type	Stereo
Body Material	Polyamide
Gender	Socket
Jack / Plug Colour	Black
Mounting Type	Panel Mount
Orientation	Horizontal
Poles	3
Size	3.5 mm
Termination Type	Solder Terminal

Drawing



Art. Nr.
RND 205-01491