

BNC JACK REAR LOCK SOLDER WIRE CONNECTOR



Features

- BNC (Bayonet Neill-Concelman) jack connectors with a rear locking mechanism offer a secure and reliable connection
- BNC jack connectors designed for solder wire connections provide a durable and permanent attachment to the circuit
- Suitable for various applications, including test equipment, instrumentation, CCTV systems, and amateur radio setups



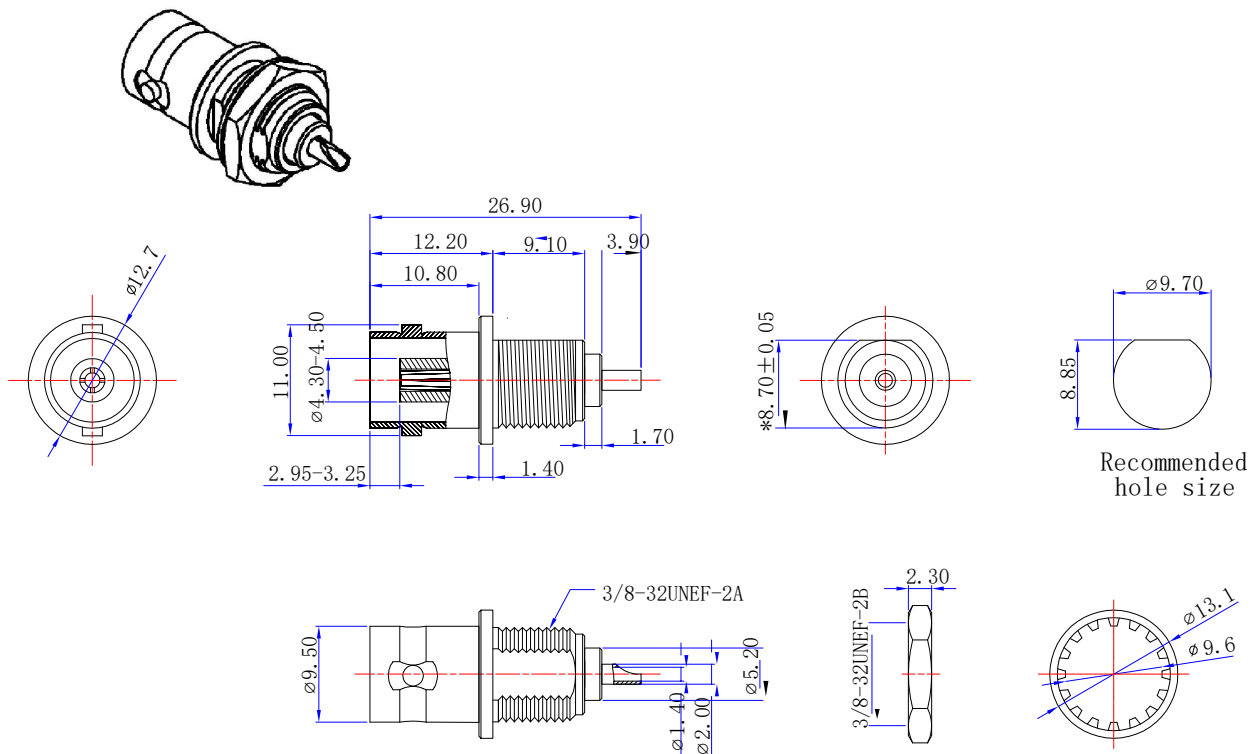
Specification

Impedance	50 Ohm
Frequency Range	0 ... 4 GHz
VSWR	1.5 max
Working Voltage	500 V RMS @ Sea Level
Insulation Resistance	5 GOhm min.
Temperature Range	-55... 165 °C

Material Specification

Body	Brass, Nickel
Insulator	PTFE
Center Pin	Brass, Gold

Drawing



Art. Nr.
RND 205-01506