

MCX JACK FOR PCB CONNECTOR



Features

- The MCX jack connector for PCB applications offers a compact and space-efficient solution, ideal for designs where board space is limited and a small footprint is required
- MCX (Micro Coaxial) jack connectors are designed for a wide range of applications, including RF and wireless communication systems
- The connector is particularly advantageous when a low-profile, high-frequency solution is necessary, making it suitable for industries such as telecommunications, automotive, and IoT devices



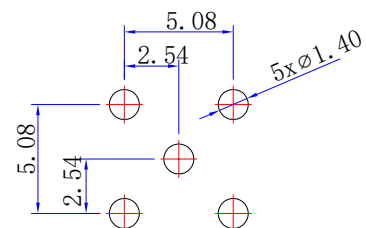
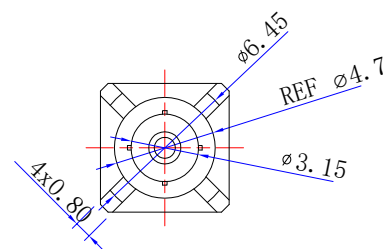
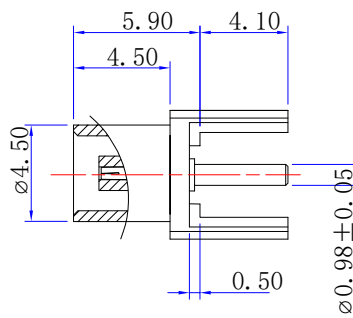
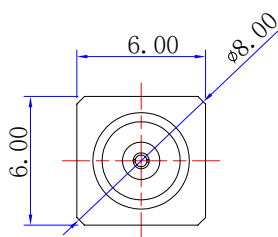
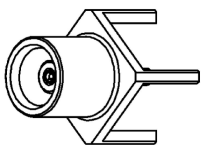
Specification

Impedance	50 Ohm
Frequency Range	0 ... 6 GHz
VSWR	1.3 max
Working Voltage	250V RMS @ Sea Level
Insulation Resistance	5 GOhm min.
Temperature Range	-55... 155 °C

Material Specification

Body	Brass, Gold Plated
Insulator	PTFE
Center Pin	Brass, Gold Plated

Drawing



Recommended opening size

Art. Nr.
RND 205-01513