

SMB PLUG FOR RG316 CABLE



Features

- The SMB (SubMiniature version B) plug connector is known for its compact size and push-on/pull-off coupling mechanism, making it a versatile choice for various RF applications
- Designed to work seamlessly with RG316 coaxial cable, this connector ensures efficient and reliable signal transmission for RF and microwave applications
- The push-on/pull-off design of the SMB plug facilitates quick and easy connections, making it an excellent choice for setups that require frequent plugging and unplugging



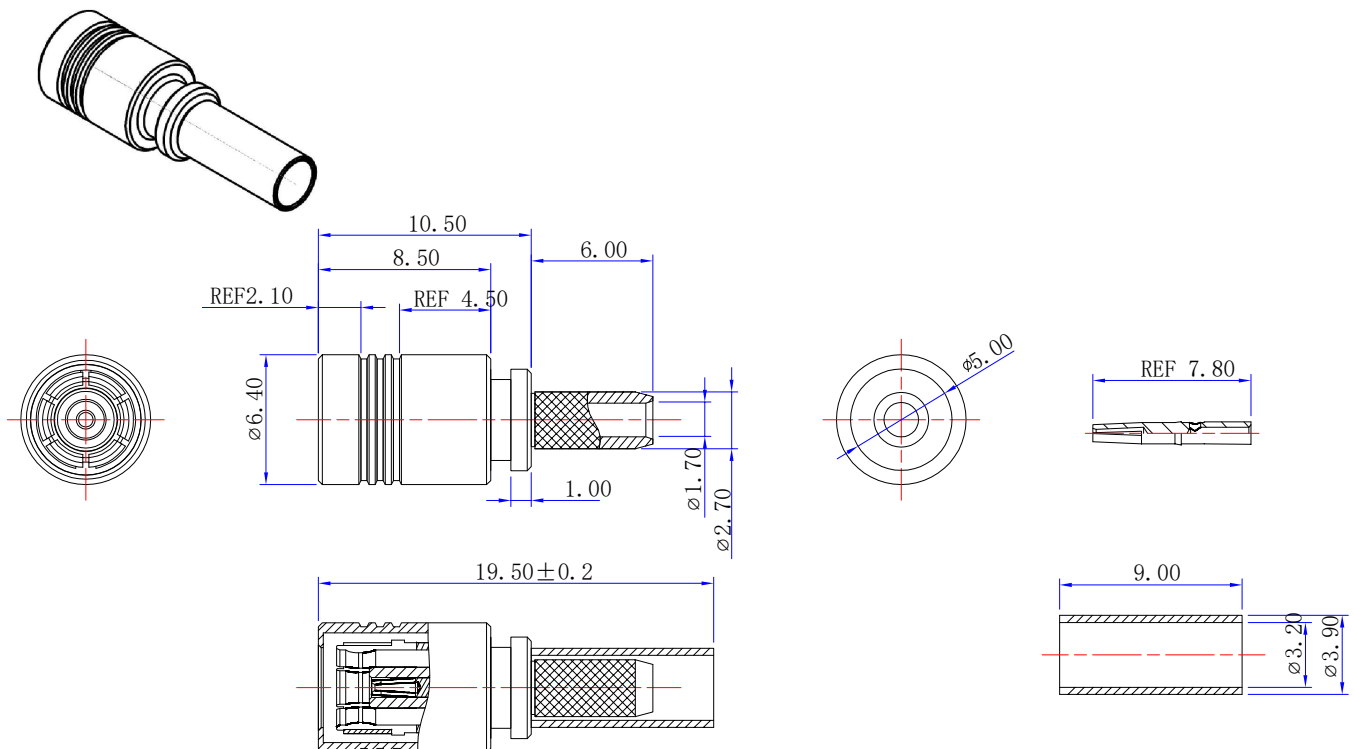
Specification

Impedance	50 Ohm
Frequency Range	0 ... 4 GHz
VSWR	1.3 max
Working Voltage	335V RMS @ Sea Level
Insulation Resistance	1 GOhm min.
Temperature Range	-40... 155 °C

Material Specification

Body	Brass, Gold Plated
Insulator	PTFE
Center Contact	Beryllium Copper, Gold Plated

Drawing



Art. Nr.
RND 205-01514