

MCX R/A PLUG RG316 CABLE



Features

- The MCX right-angle (R/A) plug design is particularly useful when there is limited space or when a low-profile connection is required, allowing the cable to be routed more efficiently in tight spaces within the device or system
- This combination of the MCX R/A plug with RG316 cable ensures reliable signal transmission while accommodating the need for a right-angle connection
- MCX R/A plug with its right-angle design and compatibility with the compact RG316 cable make it suitable for devices such as wireless modules, antennas, RF test equipment, and more



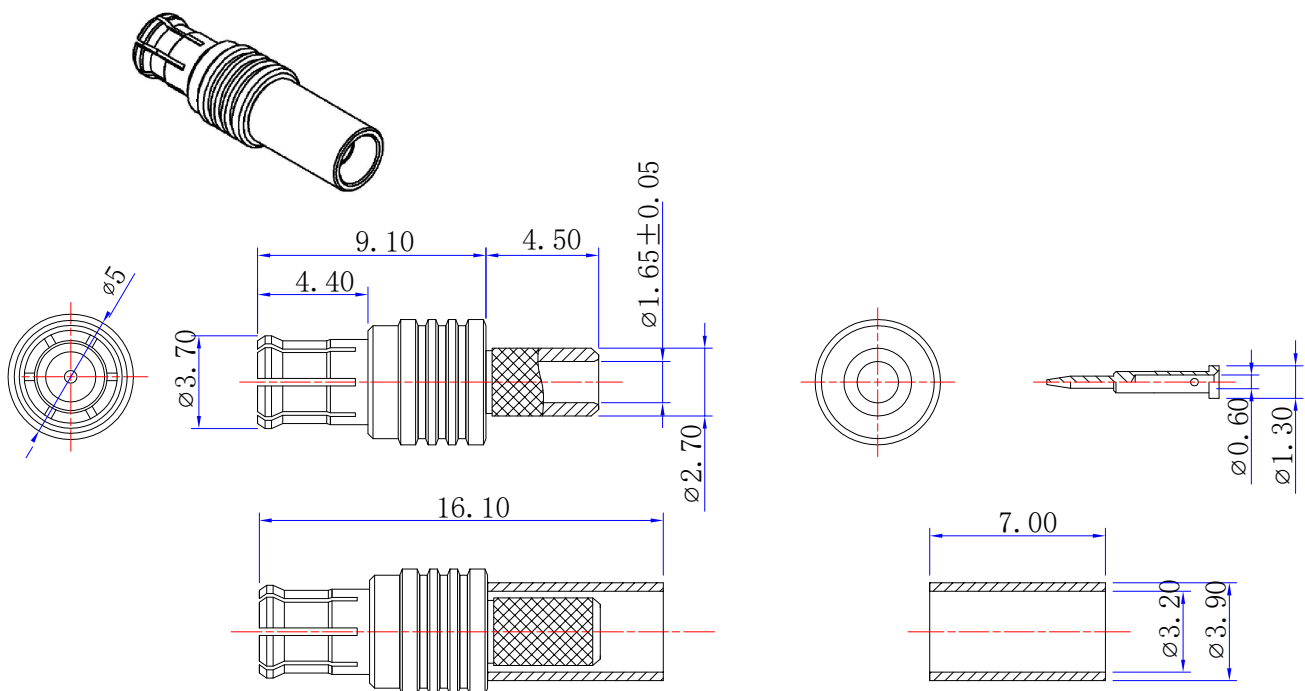
Specification

Impedance	50 Ohm
Frequency Range	0 ... 6 GHz
VSWR	1.3 max
Working Voltage	250V RMS @ Sea Level
Insulation Resistance	5 GOhm min.
Temperature Range	-55... 155 °C

Material Specification

Body	Brass, Gold Plated
Insulator	PTFE
Center Pin	Brass, Gold Plated

Drawing



Art. Nr.
RND 205-01517