

Features

- The connector can safely handle electrical potential differences up to 12 volts without compromising its functionality or risking electrical failure.
- The DIN connector can handle up to 2 A of current at a given time.
- The connector is a plug-type, indicating that it's the male component designed to be inserted into a corresponding female receptacle.



Material Specification

Housing	PBT + GF
Contact	BRASS
Outer Contact	BRASS
Parts	POM
Spring	Stainless Steel
Shell	ABS
Tail Sleeve	PVC

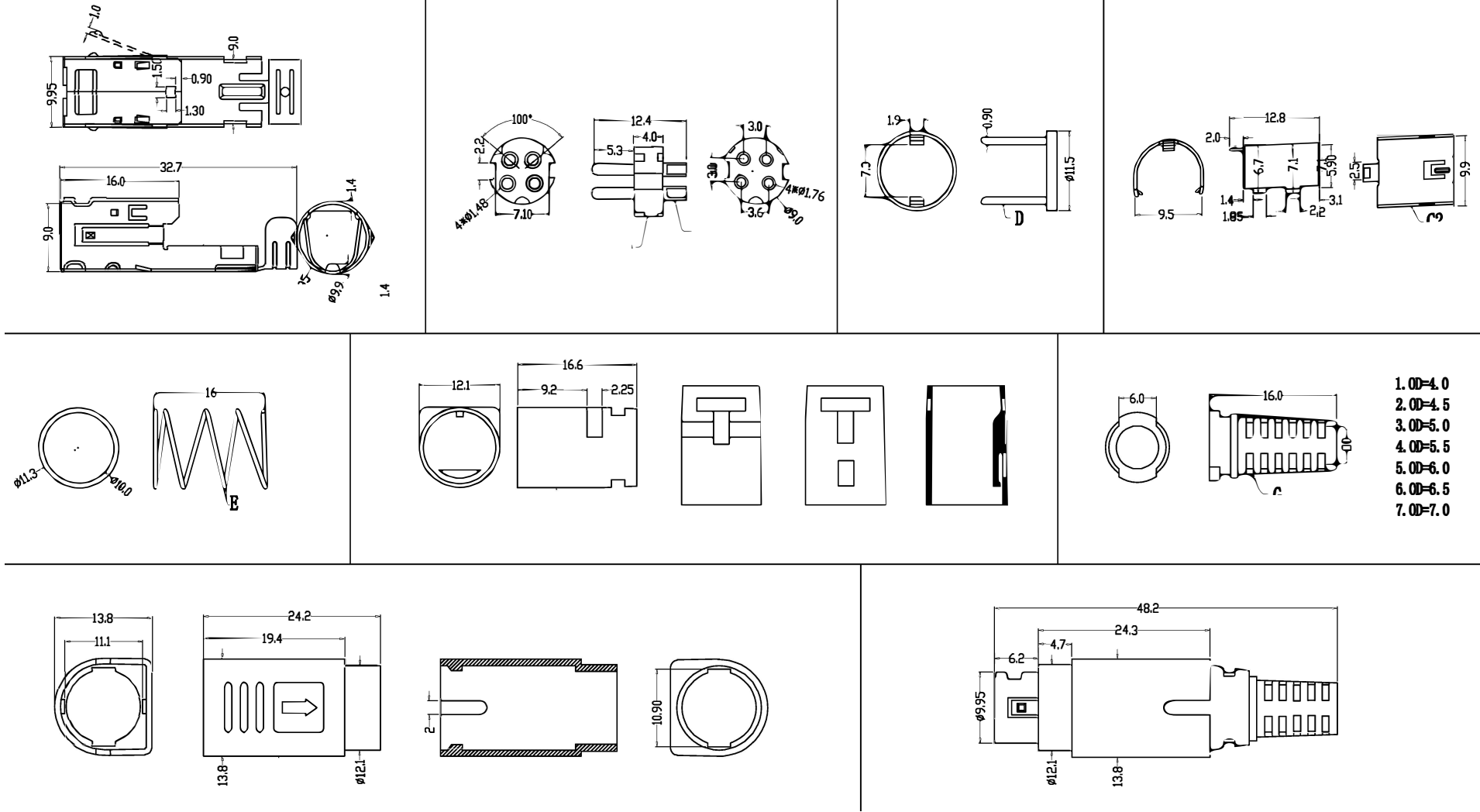
Specification

Engagement Force	≤ 35 N
Disengagement Force	≥ 35 N
Mechanical Lifespan	≥ 1000
Flammability	UL94 V-0
Rated Voltage	24 V
Rated Current	7.5 A
Insulation Resistance	≥ 1 M Ω
Contact Resistance	≤ 30 m Ω
Operation Temperature	-25° C ~ 85° C

DIN Connector, 2A, 12 V, 4 Poles, Plug



Drawing



Art. Nr.
RND 205-01537