

## Features

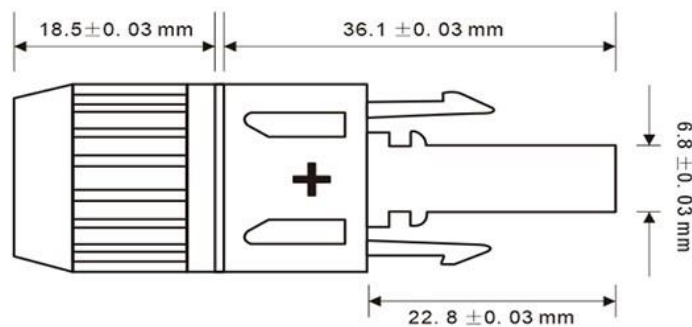
- 2 parts housing for socket & socket
- The Solar Cell Connectors boast a robust design capable of handling up to 1000V, ensuring optimal performance and safety in high-voltage solar energy systems
- These connectors are engineered for a secure and reliable electrical connection, minimizing the risk of power loss and ensuring efficient energy transfer between solar panels, inverters, and other components of the solar power system
- With a focus on longevity and durability, the Solar Cell Connectors are crafted with materials that provide excellent weather resistance



## Specification

Contact Material	Tin plated copper
Contact Resistance	<0.5 mΩ
Degree of Protection (IP), Mounted	IP67
Housing Material	Plastic
Socket Type	Male
Rated Voltage	1.5 kV
Cable Outer Diameter	4-6 mm <sup>2</sup>
Rated Current	30 A
Ambient Temperature	-40 ~ 85 °C
Rated Ipulse Sparkover Voltage	8 kV
Type of Locking	Bayonet
According to	EN 62852:2015

## Drawing



Art. Nr.  
RND 205-01559