

PCB Terminal Blocks

7.62mm pitch



SPECIFICATION:

Material

Screws	M3.0 Steel, Zinc Plated
Pin Header	Brass, Tin Plated
Housing	PA66, UL94V-0
Clamp	Brass, Ni Plated

Electrical

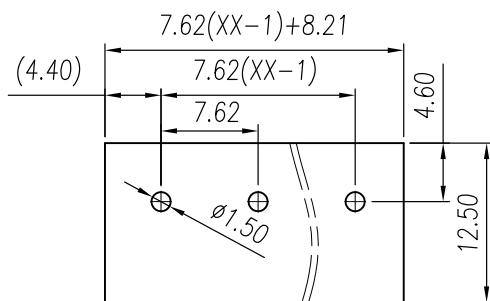
Standard	IEC	
Rated Voltage	300V	400V
Rated Current	30A	32A
Wire Range	26-10AWG	0.14-6mm ²
Contact Resistance	20mΩ	
Insulation Resistance	500MΩ/DC500V	
Withstand Voltage	AC2000V/1Min	

Mechanical

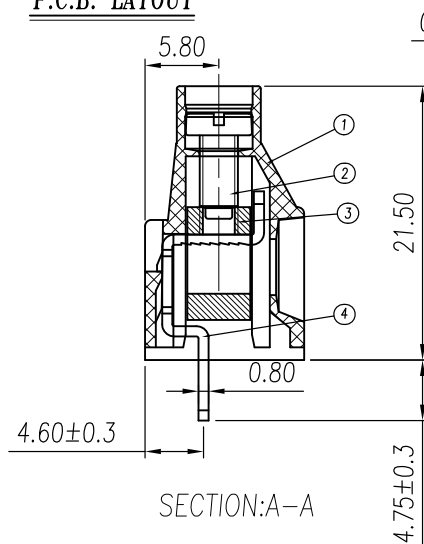
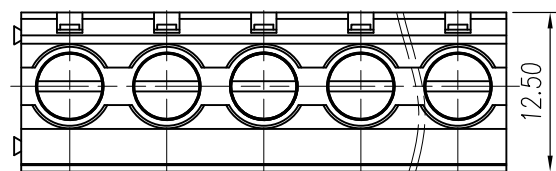
Temperature Range	-40°C~+105°C
Max. Soldering	+250°C for 5 sec
Strip Length	7-8mm
Torque	0.5Nm (4.4Lb.in)

Size

Pitch	7.62mm (.300")
Poles	2P-4P



P.C.B. LAYOUT



SECTION:A-A

