

## Specification:

Rated current	120A
Rated voltage	600V
Insulation Resistance	5000MΩ
Contact Resistance	<140μΩ
Voltage Proof	2200VDC
Life: Without Load(Contact/Disconnect Cycles)	To 10000
Life: With Load(Hot Plug 250 Cycles & 120V)	60A
Flammability	UL94 V-0
Average Connection/Disconnection	120±5N
Contact Barrel Wire Size	2AWG~2AWG
Connector Holding Force	450N Min
Environment Temperatures	-20°C...125°C

## Material and Surface Performance:

### Housing

Housing Material	PC
Process of Production	Plastic Injection

### Shrapnel

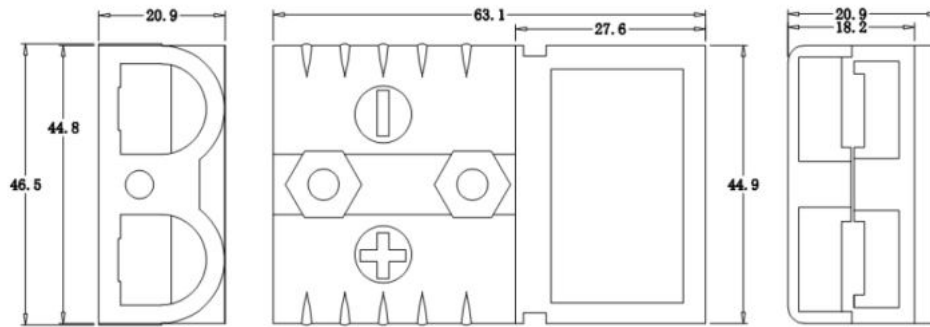
Shrapnel Material	Stainless Steel
Process of Production	Precision Punching

### Terminal

Terminal Material	Red Copper
Process of Production	Precision Punching
Plating	Ag

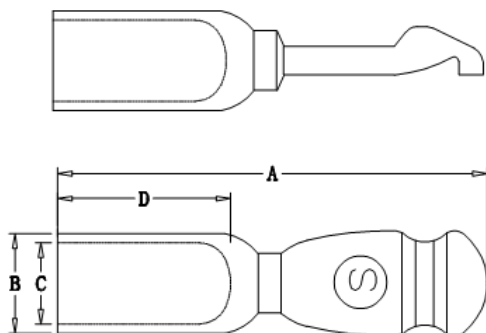
## Housing

Part Number	Housing Colour
RND 205SG120H-BL	Black
RND 205SG120H-GY	Grey
RND 205SG120H-RE	Red



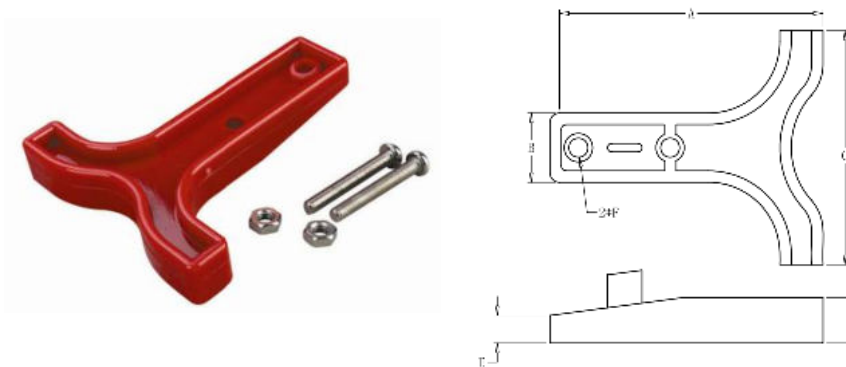
## Terminal

Part Number	-A-(mm)	-B-(mm)	-C-(mm)	-D-(mm)	Wire size	Current
RND 205SGD6811G2-T	50.7	10.8	8.7	21	2AWG	120A
RND 205SGD6811G4-T	50.7	10.8	7.5	21	4AWG	120A
RND 205SGD6811G6-T	50.7	10.8	5.6	21	6AWG	120A



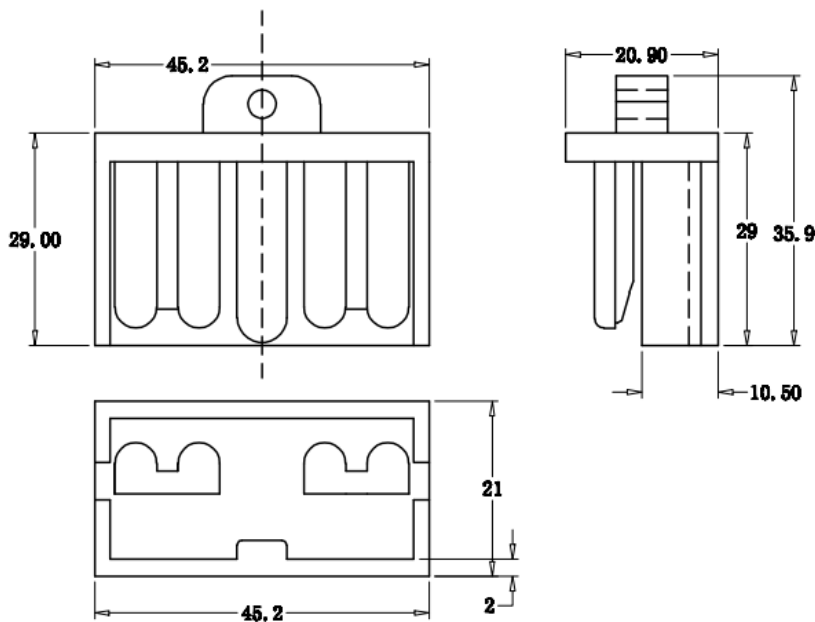
## Handle

Part Number	-A-(mm)	-B-(mm)	-C-(mm)	-D-(mm)	-E-(mm)	-F-(mm)
RND 205SG112G2-RE	5.5	14.5	49	9.6	5.8	4.0
RND 205SG112G2-GY	9.6	49	3.5	19.0	14.5	55.5



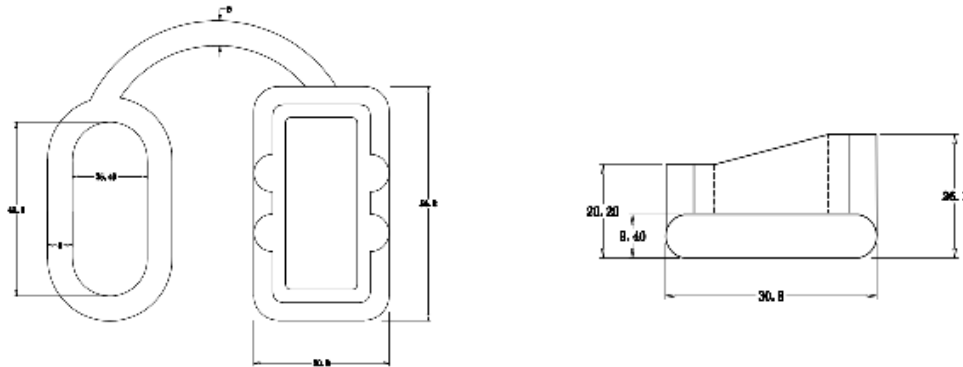
## Dust Cover

Part Number	Colour
RND 205SG112F2-BL	Black



## Dust Cover

Part Number	Colour
RND 205S112F1-BL	Black
RND 205S112F1-RE	Red



## Solid Line Plug

Part Number	Colour
RND 205SG111F4-RE	Red

